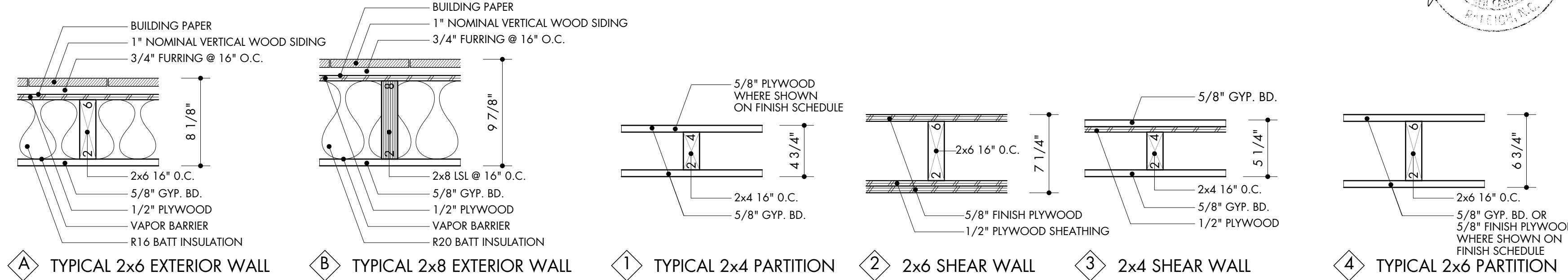


FINISH SCHEDULE

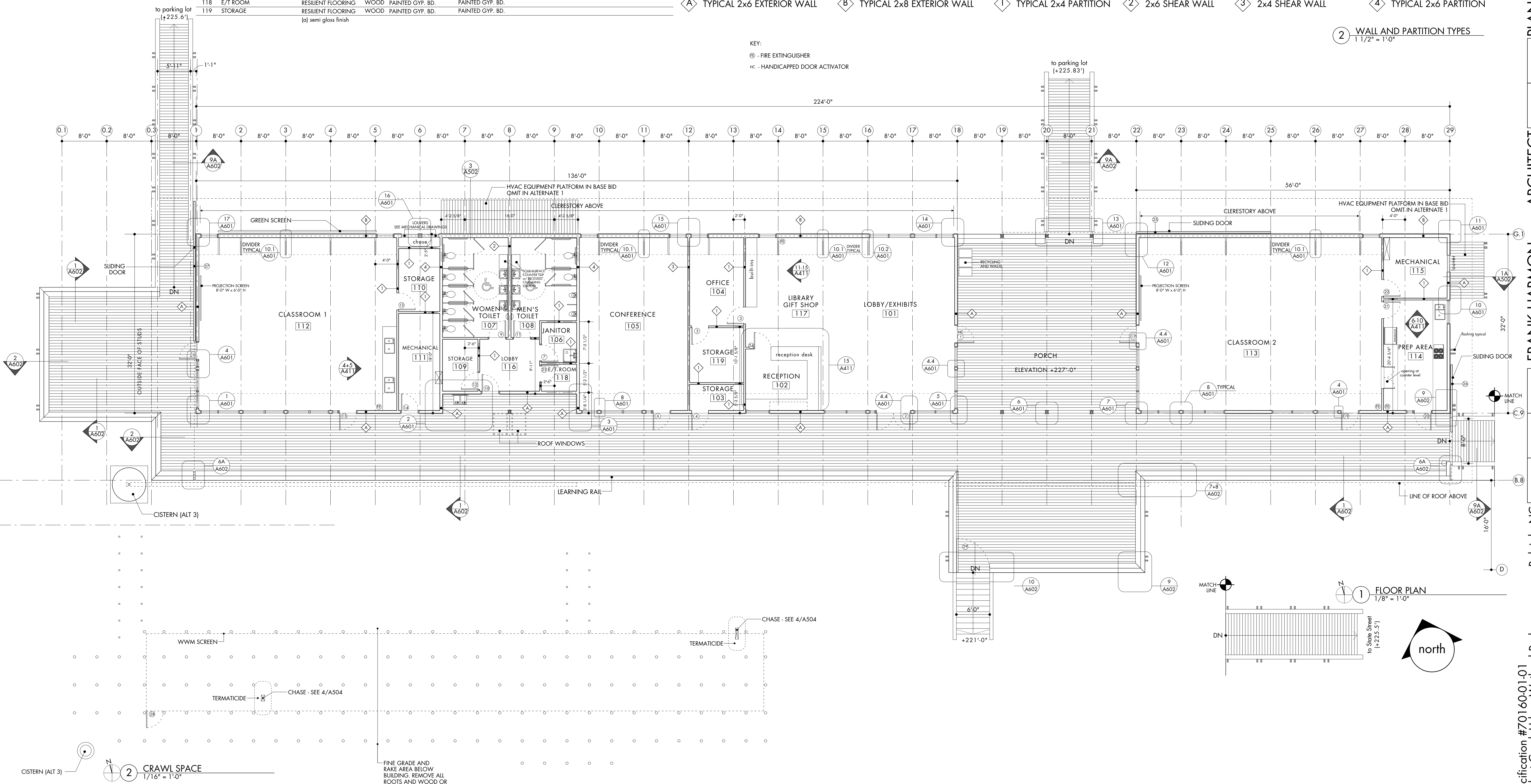
No.	SPACE	FLOOR	BASE	WALL	CEILING	NOTES
101	LOBBY/EXHIBITS	RESILIENT FLOORING	WOOD	PAINTED GYP. BD.	PLYWOOD STAINED WITH TRANSPARENT FINISH	
102	RECEPTION	RESILIENT FLOORING	WOOD	PAINTED GYP. BD.	PLYWOOD STAINED WITH TRANSPARENT FINISH	
103	STORAGE	RESILIENT FLOORING	WOOD	PAINTED GYP. BD.	PAINTED GYP. BD.	
104	OFFICE	CARPET	WOOD	PAINTED GYP. BD.	PLYWOOD STAINED WITH TRANSPARENT FINISH	
105	CONFERENCE	CARPET	WOOD	PAINTED GYP. BD.	PLYWOOD STAINED WITH TRANSPARENT FINISH	
106	JANITOR	RESILIENT FLOORING	WOOD	PAINTED GYP. BD.	PAINTED GYP. BD.	(a)
107	WOMEN'S TOILET	EPOXY	PAINTED PLYWOOD	(a)	PLYWOOD STAINED WITH TRANSPARENT FINISH	SEE TOILET ELEVATIONS A410
108	MEN'S TOILET	EPOXY	PAINTED PLYWOOD	(a)	PLYWOOD STAINED WITH TRANSPARENT FINISH	SEE TOILET ELEVATIONS A410
109	STORAGE	RESILIENT FLOORING	WOOD	PAINTED GYP. BD.	PAINTED GYP. BD.	
110	STORAGE	RESILIENT FLOORING	WOOD	PAINTED GYP. BD.	PAINTED GYP. BD.	
111	MECHANICAL	RESILIENT FLOORING	WOOD	PAINTED GYP. BD.	EXPOSED STRUCTURE	
112	CLASSROOM 1	RESILIENT FLOORING	WOOD	PAINTED GYP. BD.	PLYWOOD STAINED WITH TRANSPARENT FINISH	
113	CLASSROOM 2	CARPET	WOOD	PAINTED GYP. BD.	PLYWOOD STAINED WITH TRANSPARENT FINISH	
114	PREP AREA	RESILIENT FLOORING	WOOD	PAINTED GYP. BD.	PAINTED GYP. BD.	(a)
115	MECHANICAL	RESILIENT FLOORING	WOOD	PAINTED GYP. BD.	EXPOSED STRUCTURE	
116	LOBBY	RESILIENT FLOORING	WOOD	PAINTED GYP. BD.	PLYWOOD STAINED WITH TRANSPARENT FINISH	
117	LIBRARY/GIFT SHOP	RESILIENT FLOORING	WOOD	PAINTED GYP. BD.	PLYWOOD STAINED WITH TRANSPARENT FINISH	
118	E/T ROOM	RESILIENT FLOORING	WOOD	PAINTED GYP. BD.	PAINTED GYP. BD.	
119	STORAGE	RESILIENT FLOORING	WOOD	PAINTED GYP. BD.	PAINTED GYP. BD.	

(a) semi gloss finish



2 WALL AND PARTITION TYPES
1 1/2" = 1'-0"

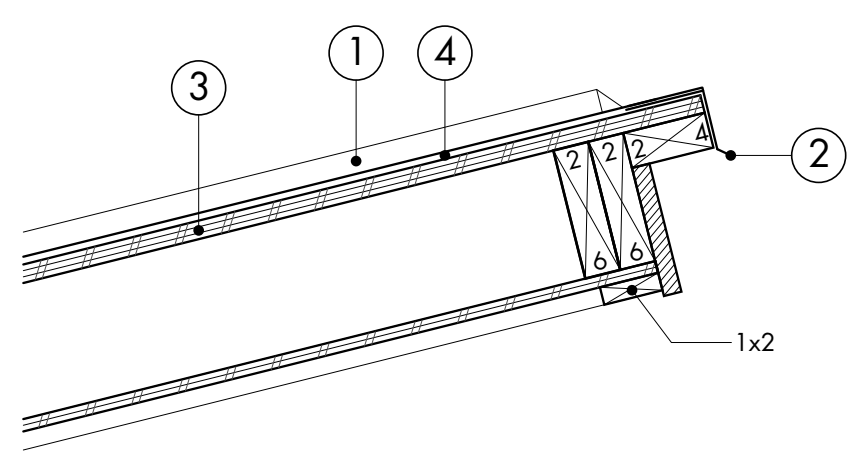
KEY:
 (F) - FIRE EXTINGUISHER
 (HC) - HANDICAPPED DOOR ACTIVATOR



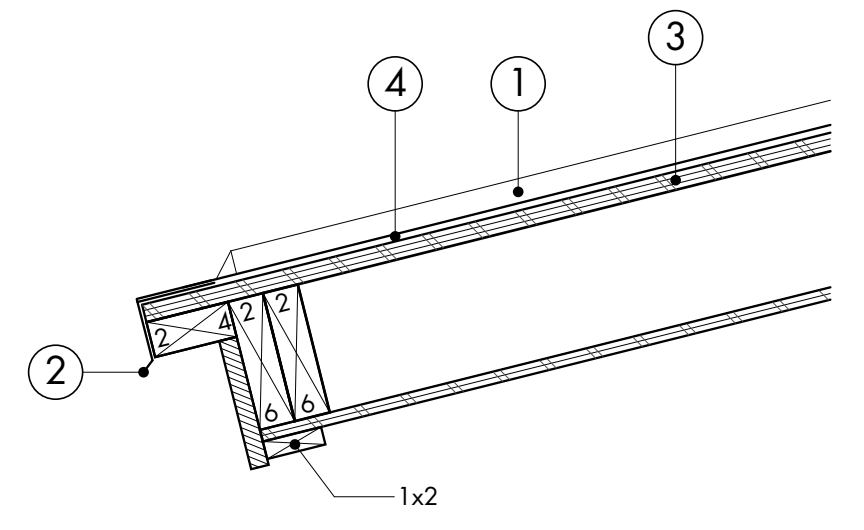
2 CRAWL SPACE
1/16" = 1'-0"

FINE GRADE AND RAKE AREA BELOW BUILDING. REMOVE ALL ROOTS AND WOOD OR ORGANIC DEBRIS.



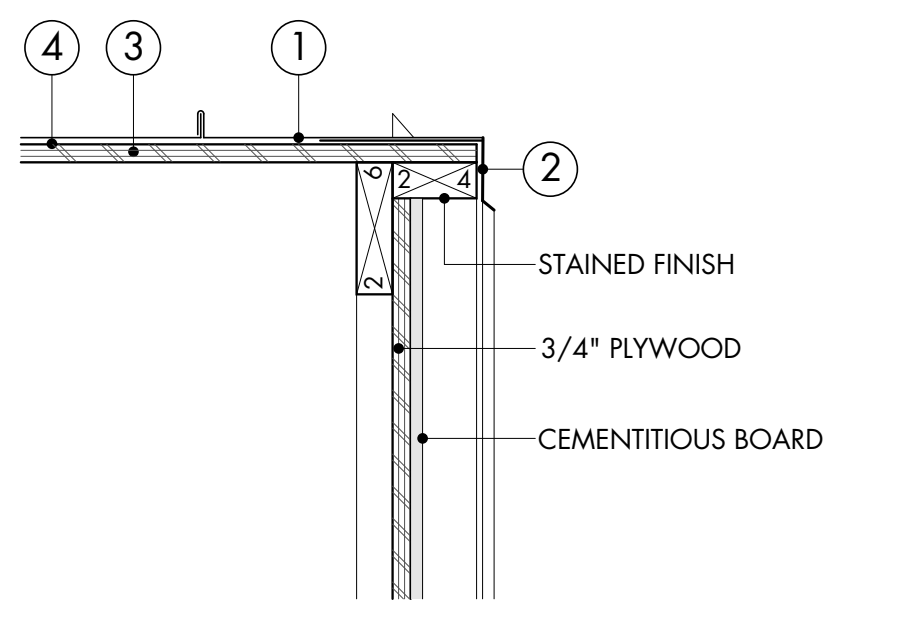


1 TYPICAL EAVE DETAIL - NORTH
1 1/2" = 1'-0"



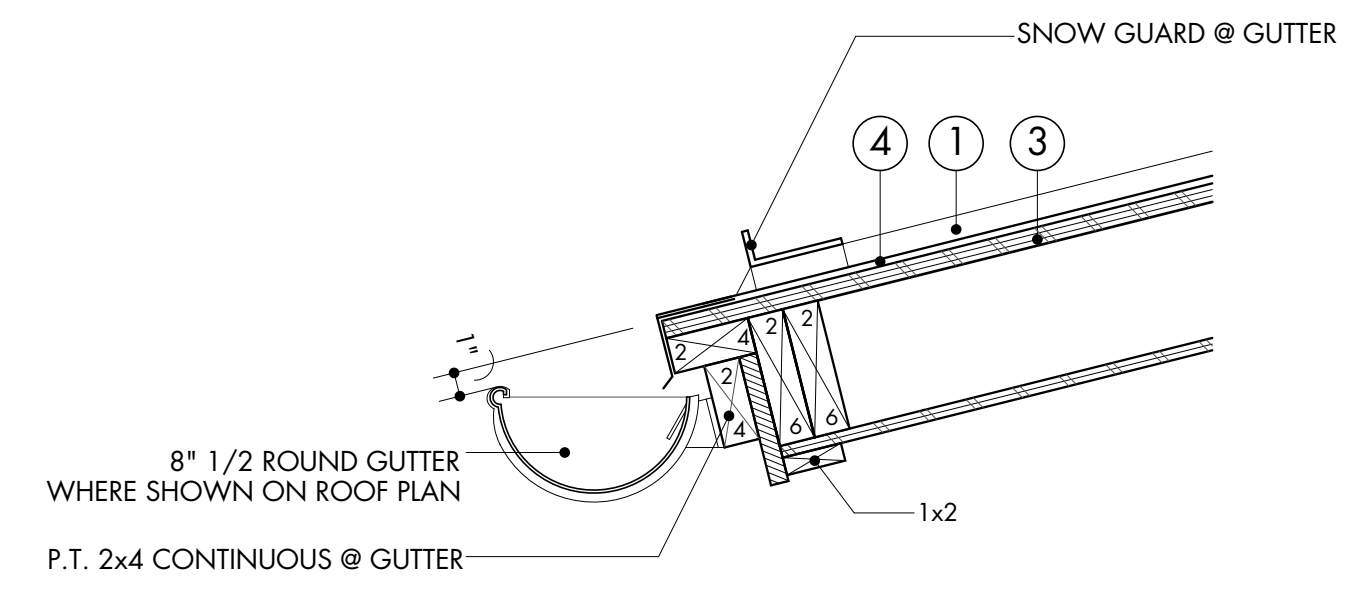
2 TYPICAL EAVE DETAIL - SOUTH
1 1/2" = 1'-0"

3 NOT USED
A203

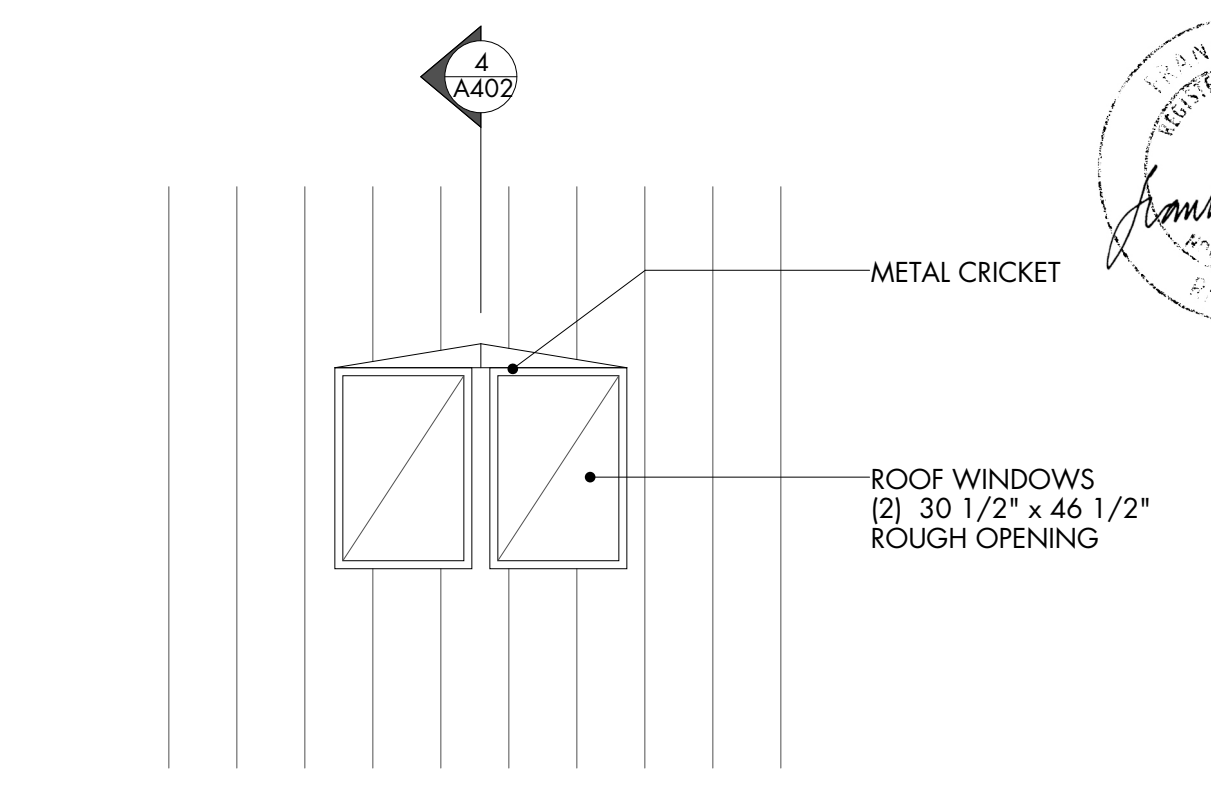


4 TYPICAL EAVE DETAIL @ GABLE
1 1/2" = 1'-0"

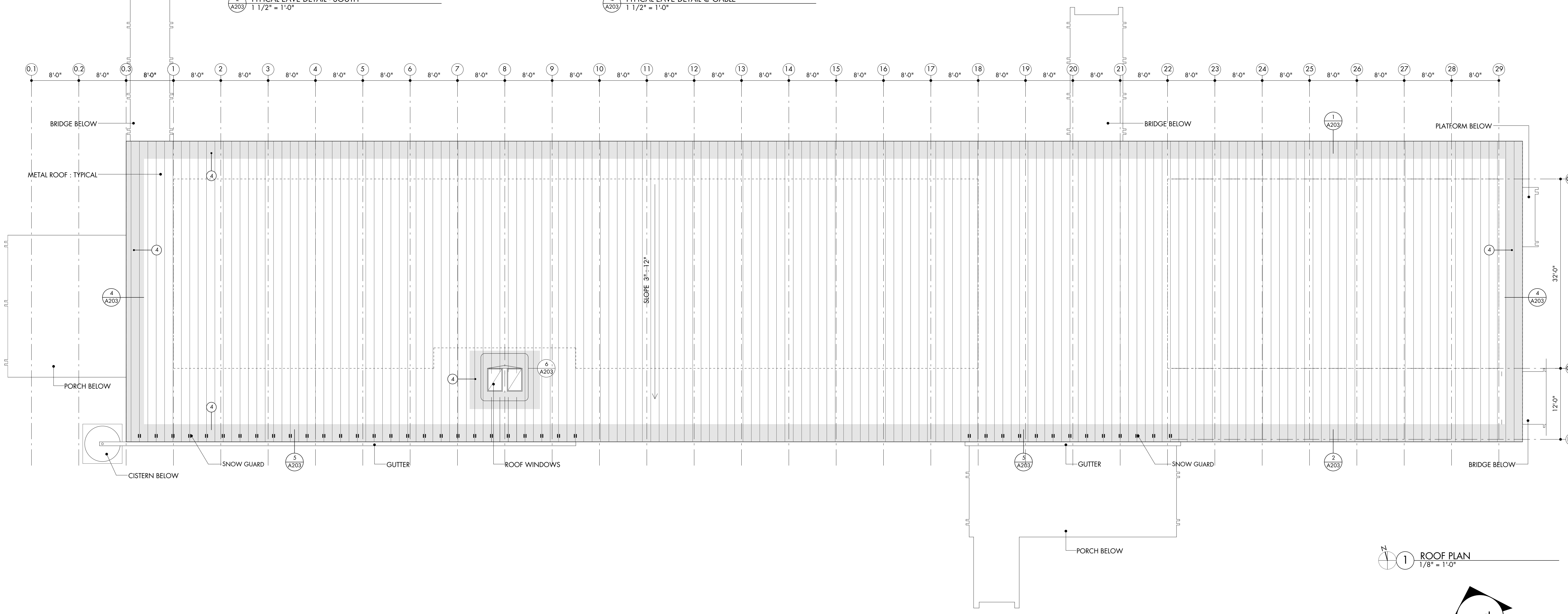
- KEY
- 1 ROOFING SYSTEM
 - 2 EDGE TRIM FLASHING
 - 3 PLYWOOD DECK
 - 4 ICE AND WATER GUARD (self adhering high temperature sheet)



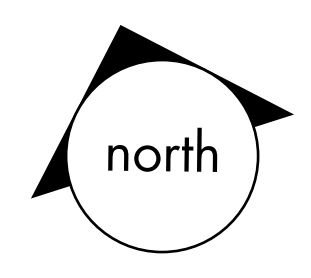
5 TYPICAL EAVE @ GUTTER DETAIL
1 1/2" = 1'-0"



6 ROOF OPENING DETAIL
1/4" = 1'-0"



1 ROOF PLAN
1/8" = 1'-0"

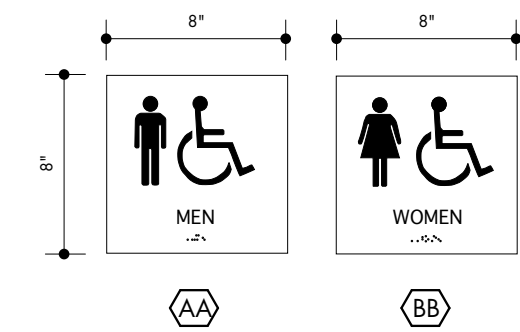


DOOR SCHEDULE

No.	LOCATION	DOOR FRAME TYPE	DOOR TYPE	CLEAR OPENING	HARDWARE SET	DETAIL	NOTES	KERFED FRAME
1	LOBBY/EXHIBITS	C	1	3'-0" x 6'-10"	2	2,7/A300	PANIC HARDWARE + HANDICAPPED OPENER	
2	LOBBY/EXHIBITS	C	1	6'-0" x 6'-10"	11	2,7/A300, 4/A601	PANIC HARDWARE + DOUBLE DOOR	
3	STORAGE	B	3	3'-0" x 6'-10"	4	6/A300		
4	STORAGE	A	2	3'-0" x 6'-10"	3	9/A300		KF
5	OFFICE	B	3	3'-0" x 6'-10"	4	6/A300		
6	CONFERENCE	C	1	3'-0" x 6'-10"	5	2,7/A300, 4/A601		
7	JANITOR	A	2	3'-0" x 6'-10"	6	4/A300		KF
8	NOT USED							
9	WOMEN'S TOILET	A	2	3'-0" x 6'-10"	7	4/A300		
10	LOBBY	A	2	3'-0" x 6'-10"	8	9/A300		KF
11	MEN'S TOILET	A	2	3'-0" x 6'-10"	7	4/A300		
12	STORAGE	A	2	3'-0" x 6'-10"	6	3/A300		
13	STORAGE	B	3	3'-0" x 6'-10"	4	6/A300		
14	MECHANICAL	A	2	3'-0" x 6'-10"	9	9/A300		KF
15	CLASSROOM 1	C	1	3'-0" x 6'-10"	1	2,7/A300, 4/A601	PANIC HARDWARE	
16	CLASSROOM 1	C	1	3'-0" x 6'-10"	1	2,7/A300, 4/A601	PANIC HARDWARE	
17	CLASSROOM 2	C	1	3'-0" x 6'-10"	2	2,7/A300, 4/A601	PANIC HARDWARE	
18	NOT USED							
19	CLASSROOM 2	C	1	3'-0" x 6'-10"	1	2,7/A300, 4/A601	PANIC HARDWARE	
20	PREP AREA	C	1	3'-0" x 6'-10"	3	2,7/A300, 4/A601		
21	PREP AREA	A	2	3'-0" x 6'-10"	4	4/A300		
22	MECHANICAL	A	2	3'-0" x 6'-10"	10	4/A300		KF
23	E/T ROOM	A	2	3'-0" x 6'-10"	6	4/A300		
24	RECEPTION	-	5	2'-6" x 3'-0"		A411		
25	NORTH BREEZEWAY	-	6	24'-8" x 9'-2" (VIF)			ROLLING DOOR	
26	EAST WALL	-	6	14'-0" x 7'-0" (VIF)			ROLLING DOOR	
27	WEST WALL	-	6	26'-0" x 7'-0" (VIF)			ROLLING DOOR	
28	CRAWL SPACE	-	7	6'-0" x 3'-6" (VIF)			REF 7/A301	
29	DECK	-	8	6'-0" x 3'-6" (VIF)				

SIGN SCHEDULE

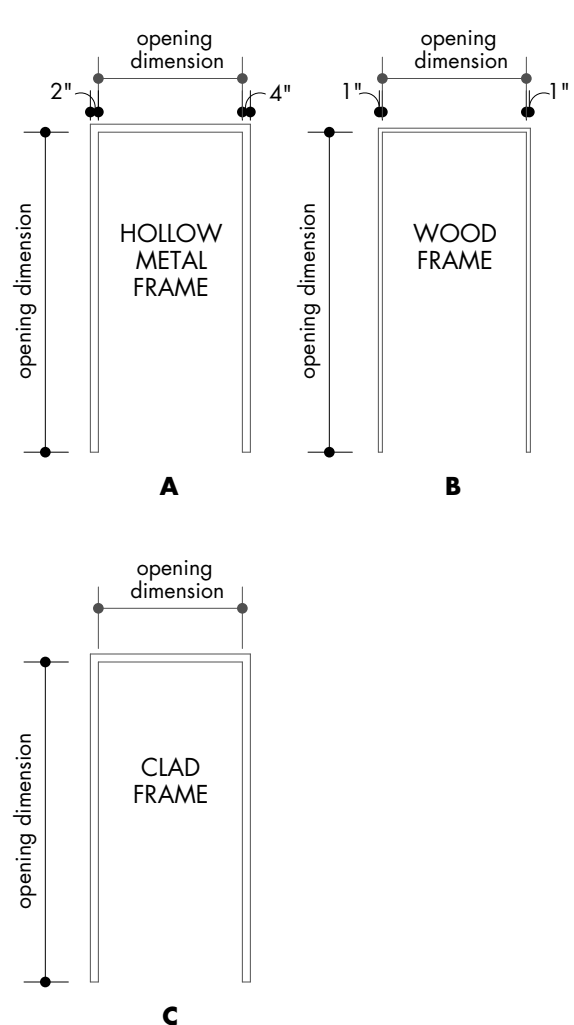
No.	DESCRIPTION	DIMENSION	QUANTITY	NOTES
AA	ACRYLIC SIGN	8" W x 8" H	1	
BB	ACRYLIC SIGN	8" W x 8" H	1	



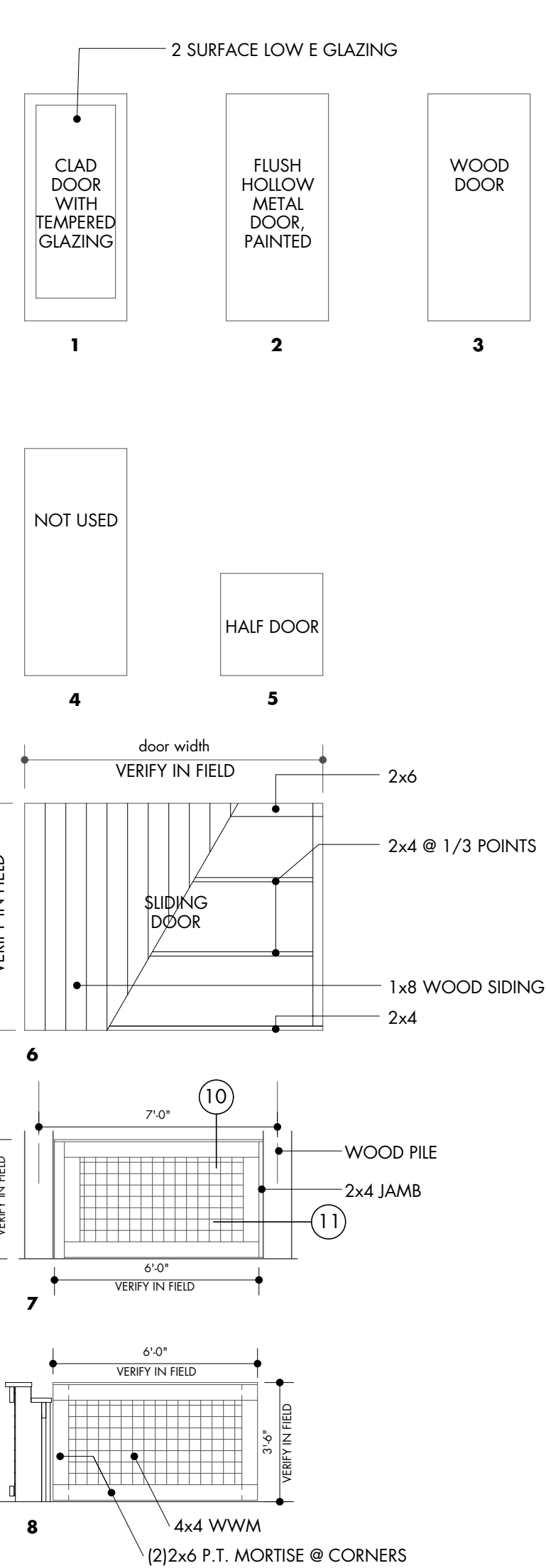
CLAD WINDOW SCHEDULE

No.	REFERENCE NUMBER	FRAME DIMENSION	QUANTITY	GLAZING	NOTES
A	(3) AUXILIARY UNITS (1) AWNING		6	2 SURFACES LOW E	
B	(3) AUXILIARY UNITS (1) AWNING		6	2 SURFACES LOW E	
C	(1) AUXILIARY UNIT		1	2 SURFACES LOW E	
D	(1) AUXILIARY UNIT		1	2 SURFACES LOW E	
E	(1) CASEMENT		7	2 SURFACES LOW E	
F	(2) AUXILIARY UNITS		1	2 SURFACES LOW E	
G	(2) AUXILIARY UNITS		3	2 SURFACES LOW E	
H	(1) AUXILIARY UNIT (1) AWNING		3	2 SURFACES LOW E	
I	(1) AUXILIARY UNIT (1) AWNING		1	2 SURFACES LOW E	
J	(3) AUXILIARY UNITS (1) AWNING		1	2 SURFACES LOW E	
K	(3) AUXILIARY UNITS (1) AWNING		1	2 SURFACES LOW E	

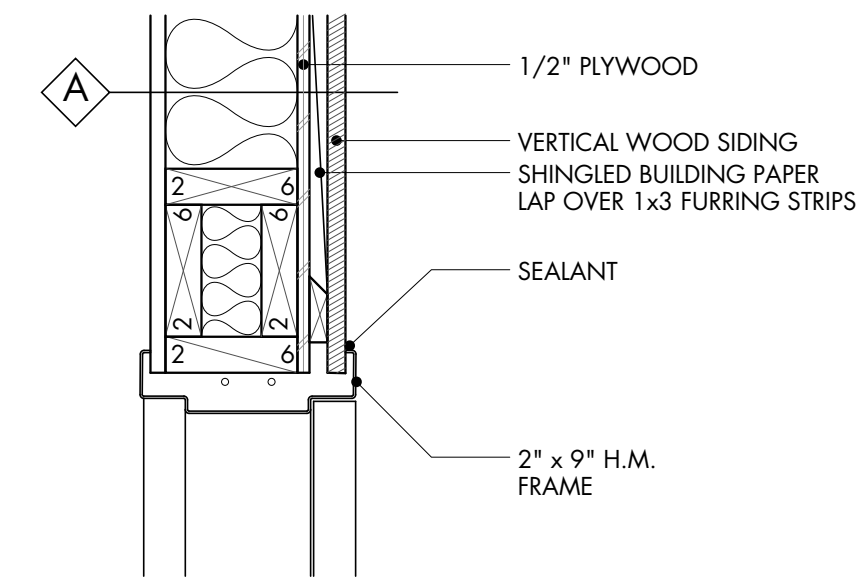
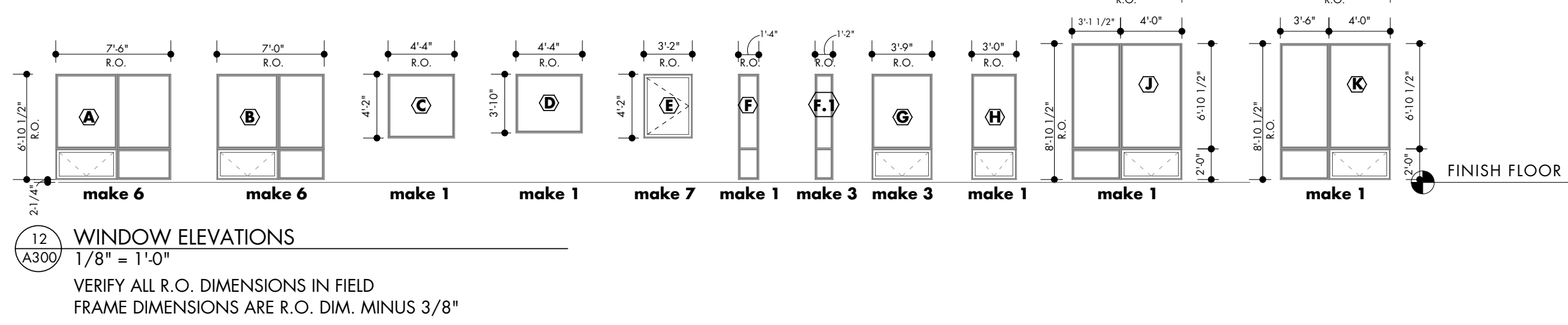
DOOR FRAME TYPES



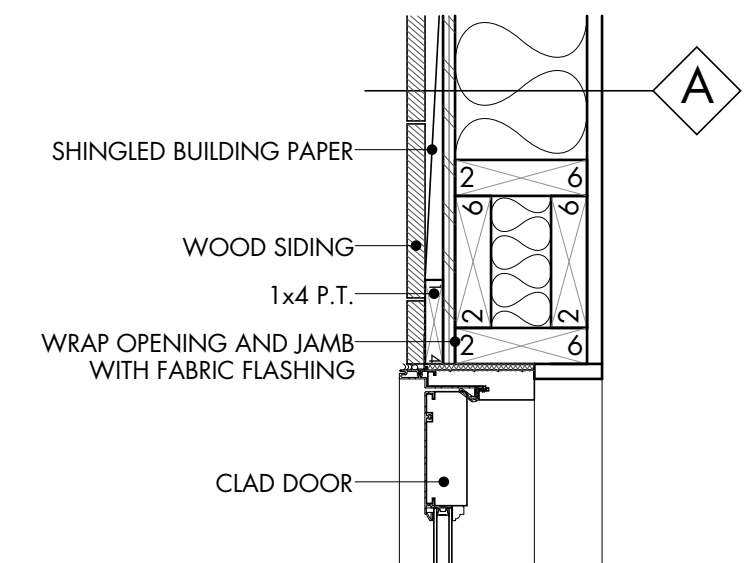
DOOR TYPES



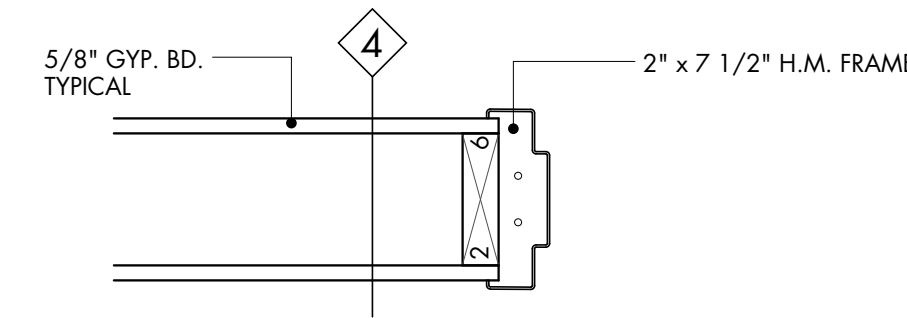
CLAD WINDOWS



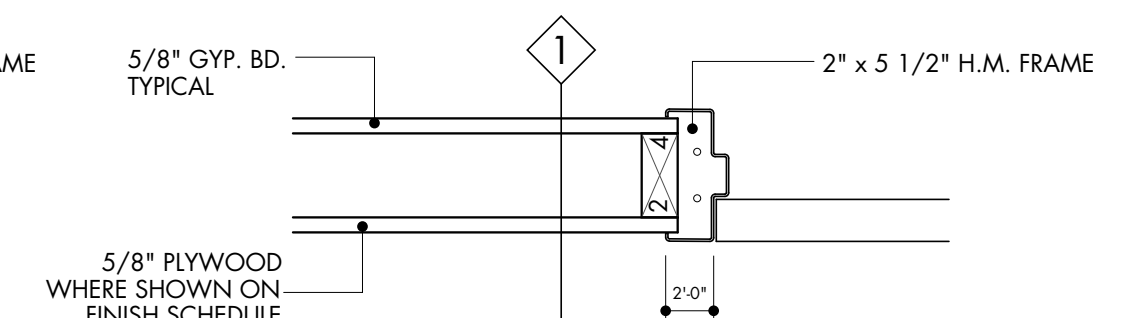
1 EXTERIOR HOLLOW METAL DOOR HEAD
1 1/2" = 1'-0"



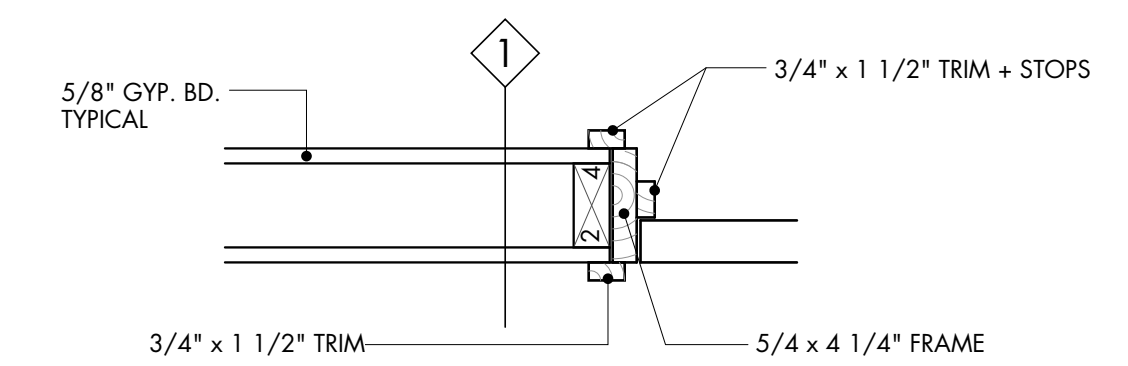
2 EXTERIOR CLAD DOOR HEAD
1 1/2" = 1'-0"



3 HOLLOW METAL JAMB
1 1/2" = 1'-0"

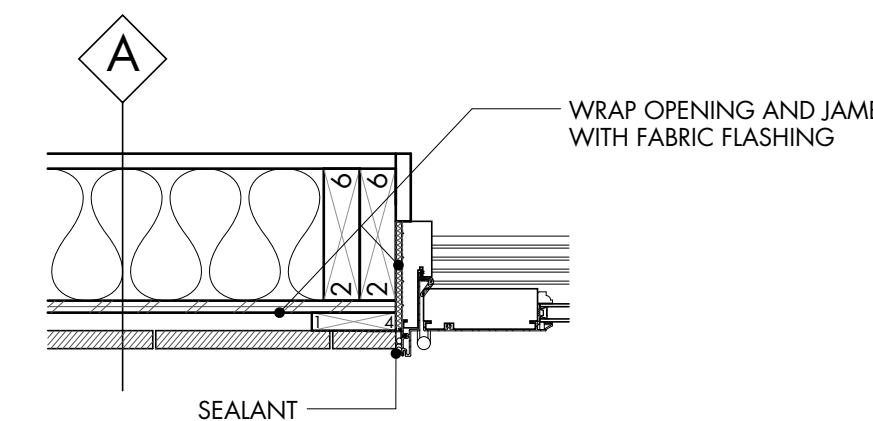


4 HOLLOW METAL JAMB
1 1/2" = 1'-0"

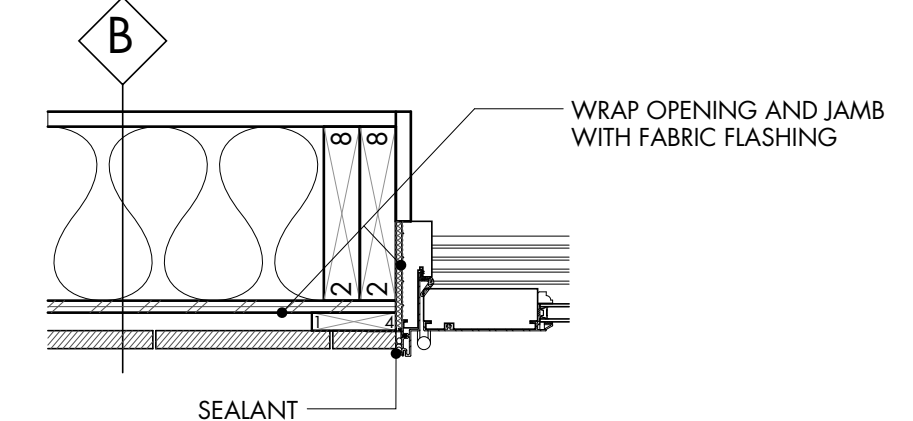


6 WOOD FRAME (NOT RATED)
1 1/2" = 1'-0"

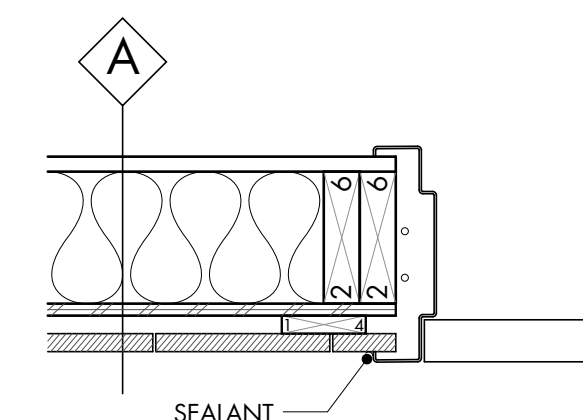
5 NOT USED
1 1/2" = 1'-0"



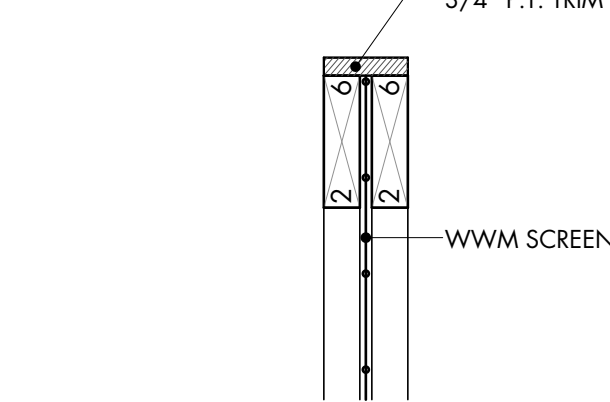
7 CLAD DOOR JAMB
1 1/2" = 1'-0"



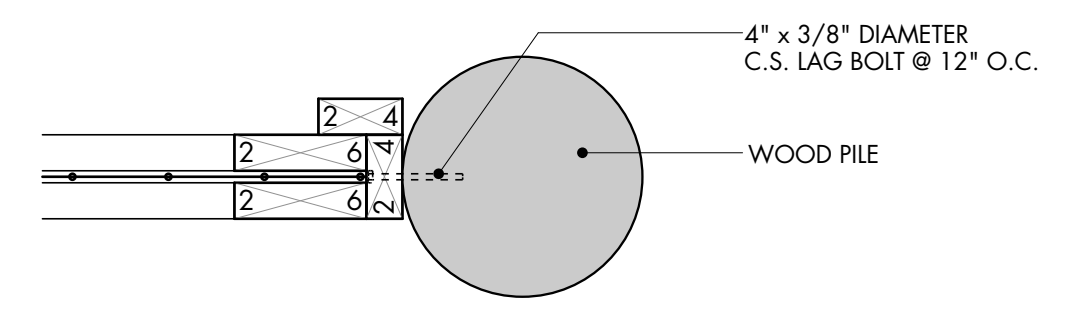
8 CLAD DOOR JAMB
1 1/2" = 1'-0"



9 EXTERIOR HOLLOW METAL DOOR JAMB
1 1/2" = 1'-0"

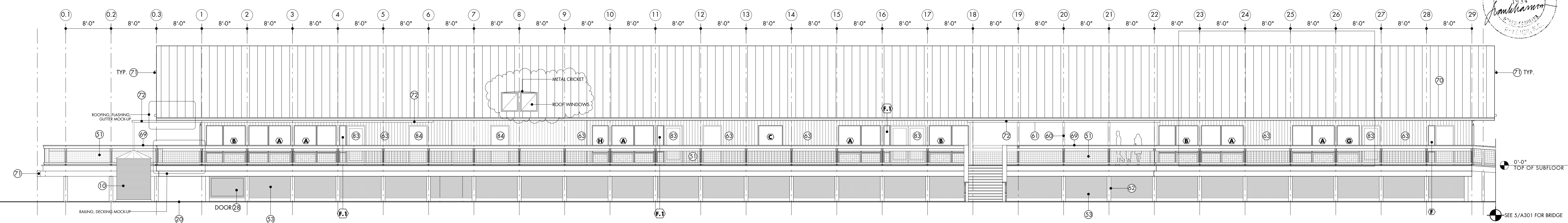


10 DOOR 29
1 1/2" = 1'-0"

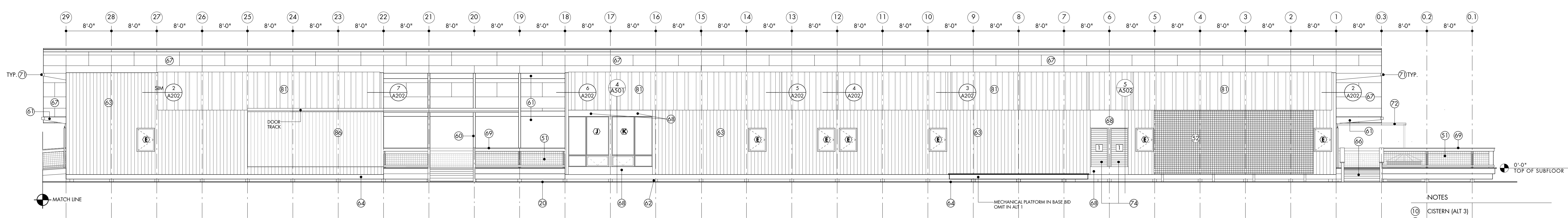


10 CRAWL SPACE DOOR 28
1 1/2" = 1'-0"

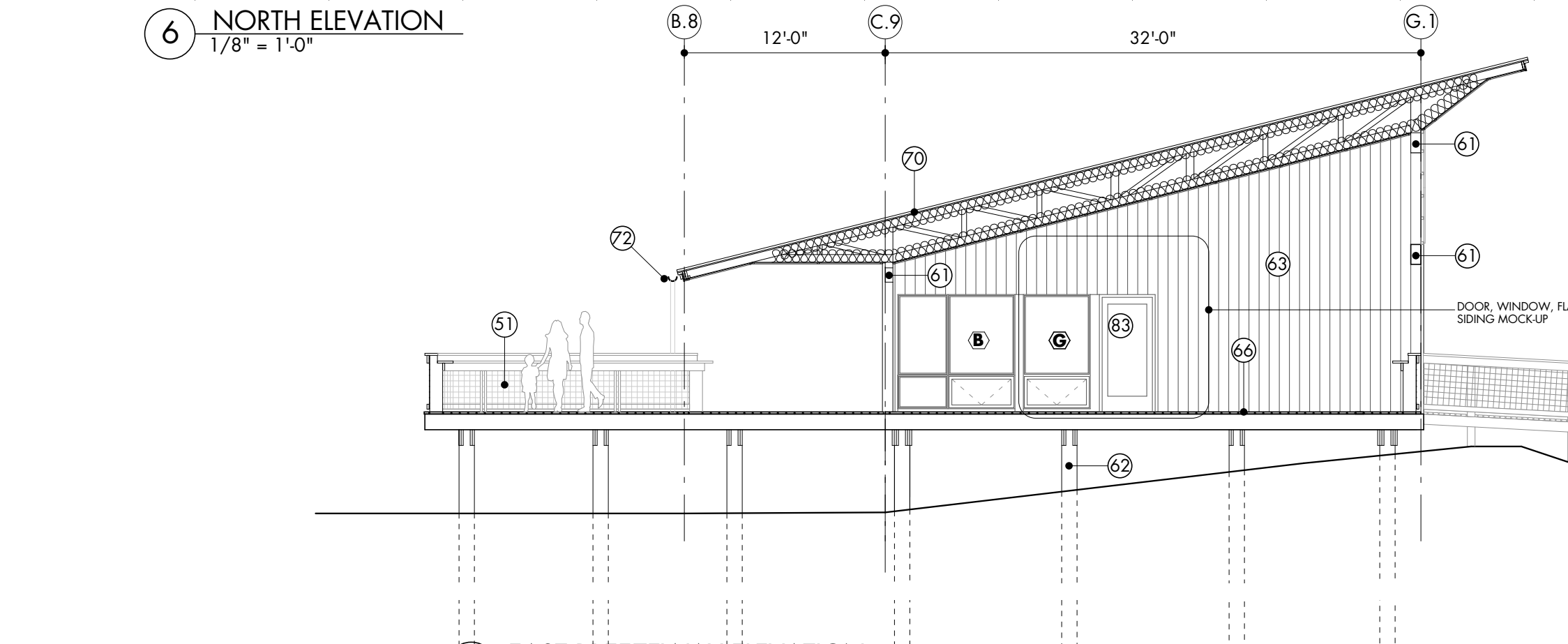




7 SOUTH ELEVATION
1/8" = 1'-0"



6 NORTH ELEVATION
1/8" = 1'-0"



4 EAST BREEZEWAY ELEVATION
1/8" = 1'-0"

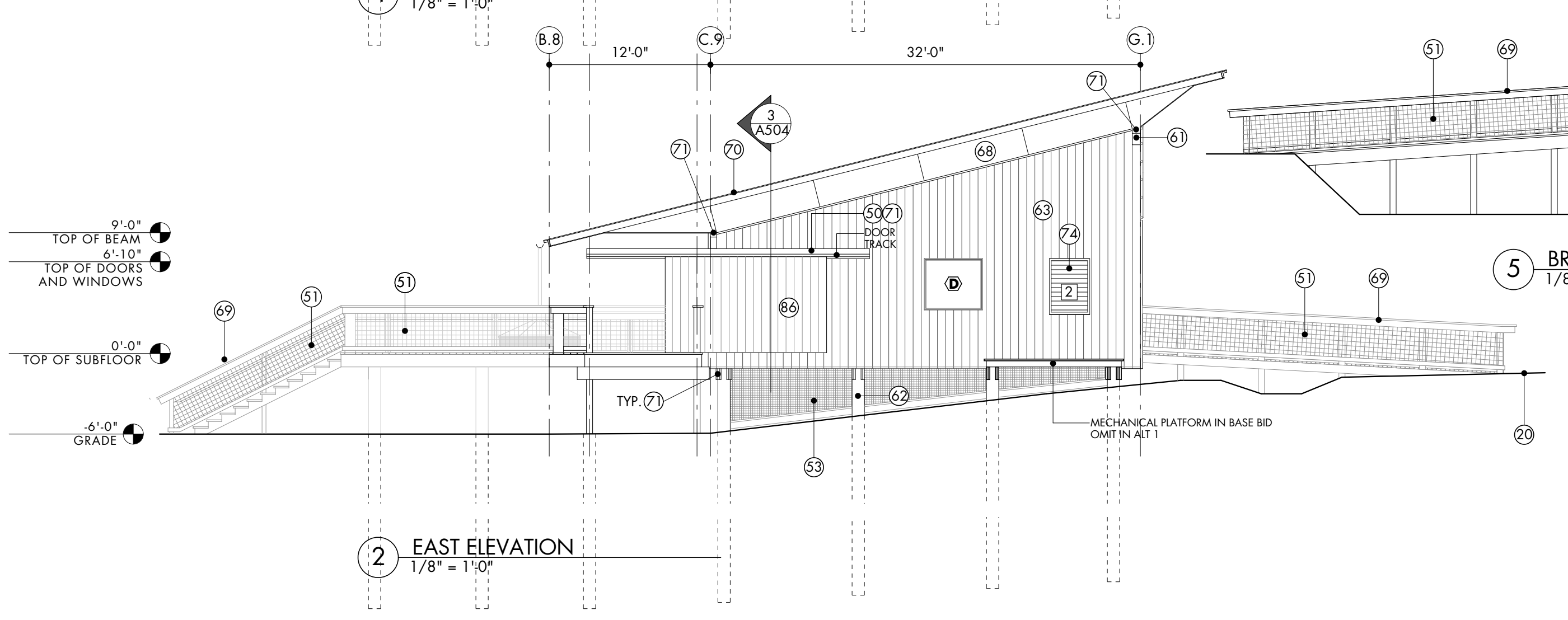
EXTERIOR PAINT/STAIN SCHEDULE

WOOD SIDING, WOOD PILING, WOOD RAILINGS AND DECK	DO NOT PAINT OR STAIN
FASCIAS, SOFFITS, WOOD, COLUMNS + BEAMS, ROLLING WOOD DOORS	SOLID STAIN
GALVANIZED METAL, ALUMINIUM, ZINC OR COPPER	DO NOT PAINT OR STAIN
STEEL DOORS AND FRAMES	PAINTED
CEMENTITIOUS BOARD	DO NOT PAINT OR STAIN

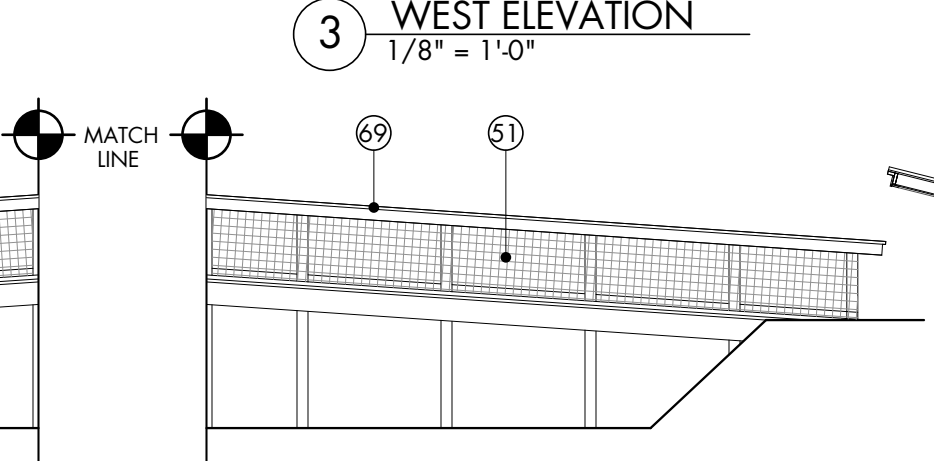
LOUVER SCHEDULE

MARK	SIZE	DETAIL	NO. REQUIRED
1	36"x84"	16/A601	2
2	36"x48"	16A/A601	1

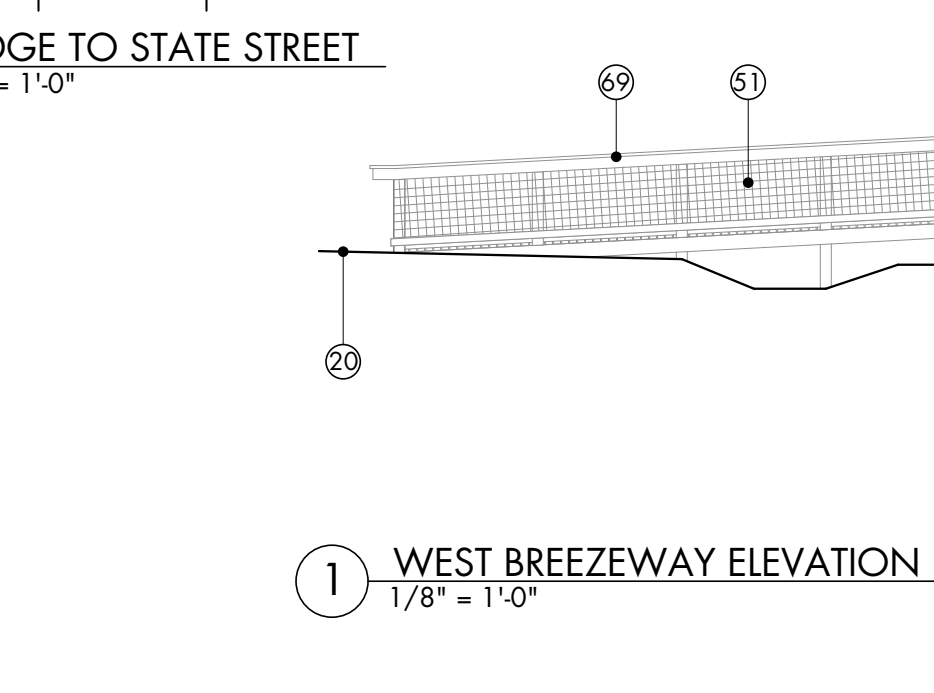
- NOTES**
- (10) CISTERN (ALT 3)
 - (20) FINISHED GRADE - SEE LANDSCAPE DRAWINGS
 - (80) CONCRETE
 - (81) CMU
 - (82) NOT USED
 - (50) STEEL
 - (51) MESH RAILING
 - (52) GREEN SCREEN
 - (53) W.W.M. SCREEN
 - (60) WOOD COLUMN - SEE STRUCTURAL DRAWINGS
 - (61) WOOD BEAM - SEE STRUCTURAL DRAWINGS
 - (62) WOOD PILE - SEE STRUCTURAL DRAWINGS
 - (63) WOOD SIDING
 - (64) WOOD STRUCTURE EXPOSED
 - (65) WOOD TRIM
 - (66) DECKING
 - (67) PLYWOOD CEILING OR SOFFIT OR WALL FINISH
 - (68) CEMENTITIOUS BOARD
 - (69) WOOD RAILING
 - (70) METAL ROOF SYSTEM
 - (71) METAL FLASHING
 - (72) METAL GUTTER
 - (73) METAL DOWNSPOUT
 - (74) METAL LOUVERS - SEE MECHANICAL DRAWINGS
 - (88) CLAD WINDOWS
 - (81) POLYCARBONATE GLAZING
 - (82) NOT USED
 - (83) CLAD DOOR/FRAME
 - (84) HOLLOW METAL DOOR/FRAME
 - (85) WOOD DOOR
 - (86) ROLLING WOOD DOOR AND TRACK
 - (87) SCREEN
 - (90) GYPSUM BOARD
 - (92) BASE
 - (93) NOT USED
 - (94) NOT USED
 - (95) NOT USED
 - (96) LIGHT COVE



2 EAST ELEVATION
1/8" = 1'-0"

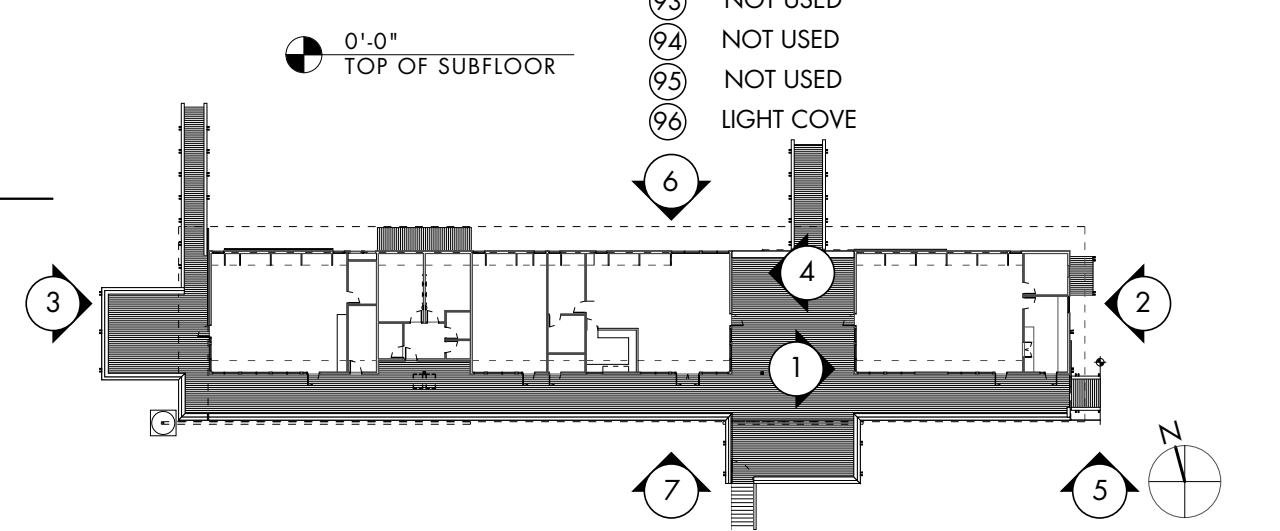


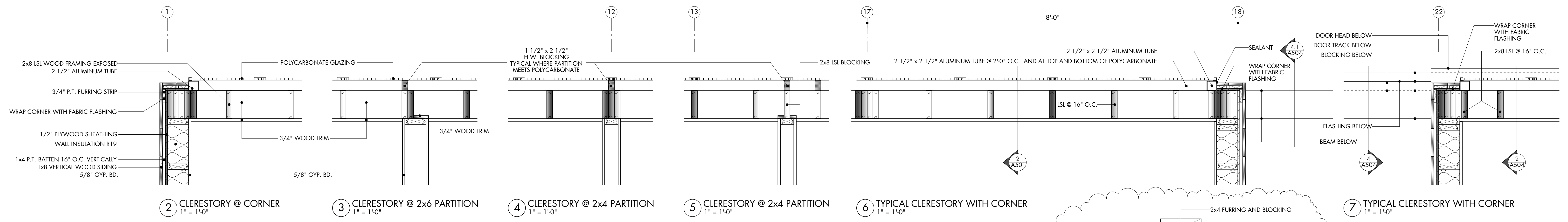
3 WEST ELEVATION
1/8" = 1'-0"



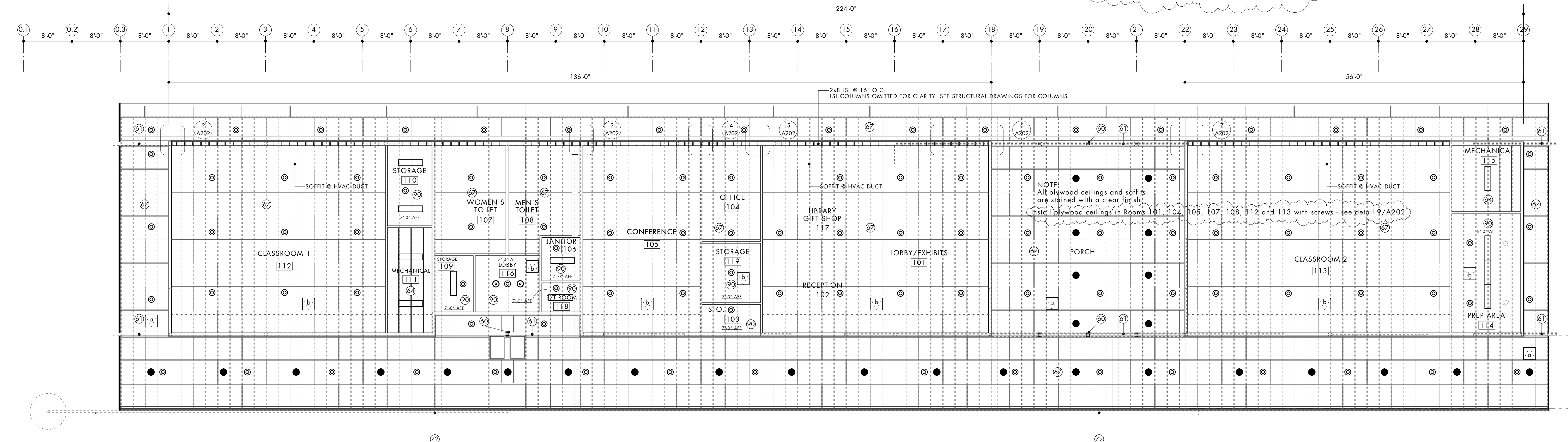
5 BRIDGE TO STATE STREET
1/8" = 1'-0"

1 WEST BREEZEWAY ELEVATION
1/8" = 1'-0"

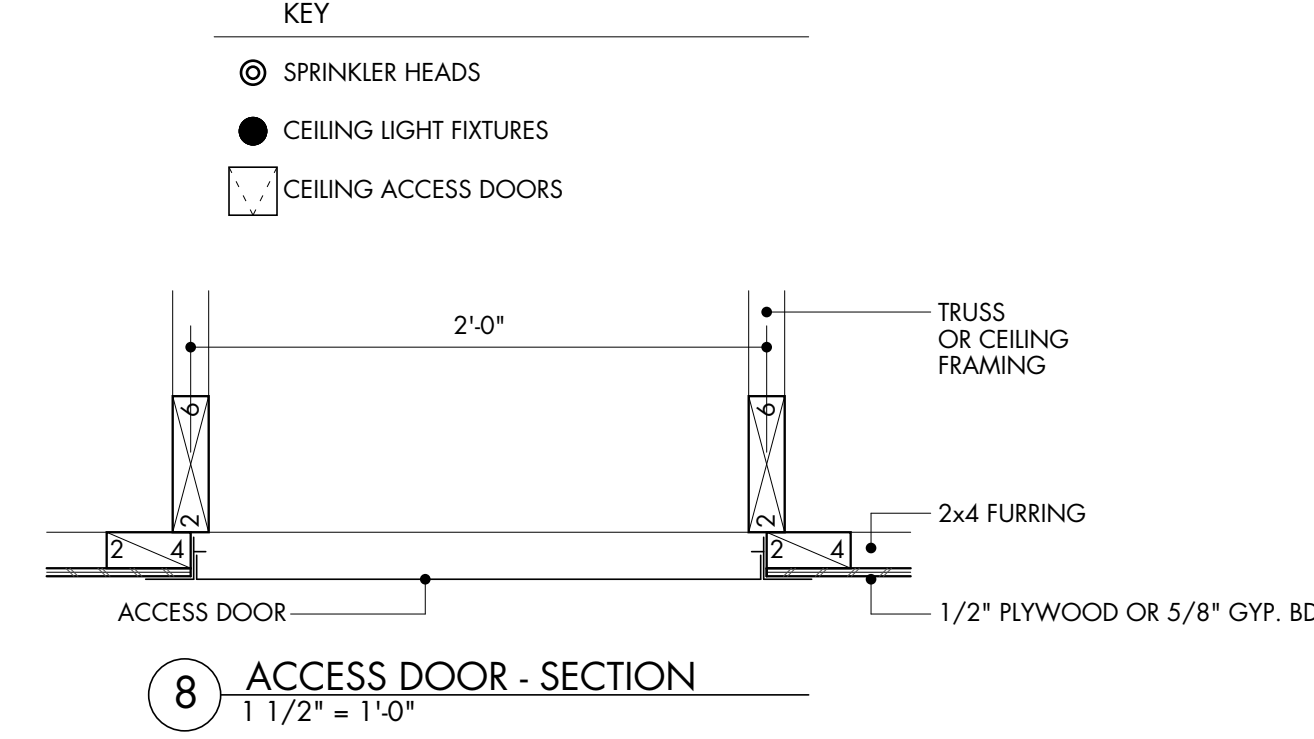




NOTE: DETAILS 2-7 SEE STRUCTURAL DRAWINGS FOR LSL COLUMNS

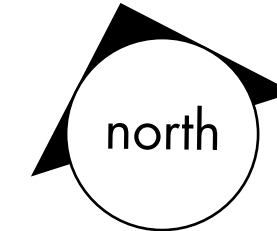


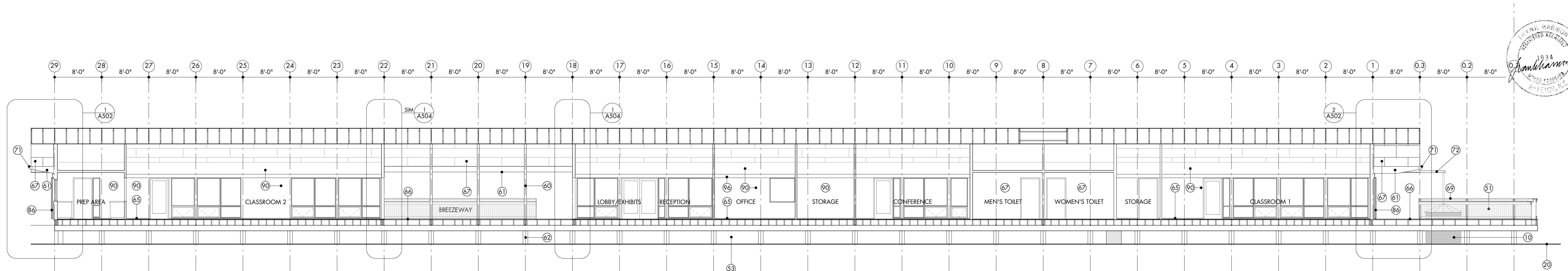
No.	LOCATION	CLEAR OPENING	NUMBER REQUIRED	DETAIL	NOTES
a	PORCH/SOFFIT	24"x24"	3	8/A702	INSULATED
b	CEILING	24"x24"	8	8/A702	
c	WALLS	24"x24"	1		INSULATED - SEE CRAWL SPACE CHASE 2/A402



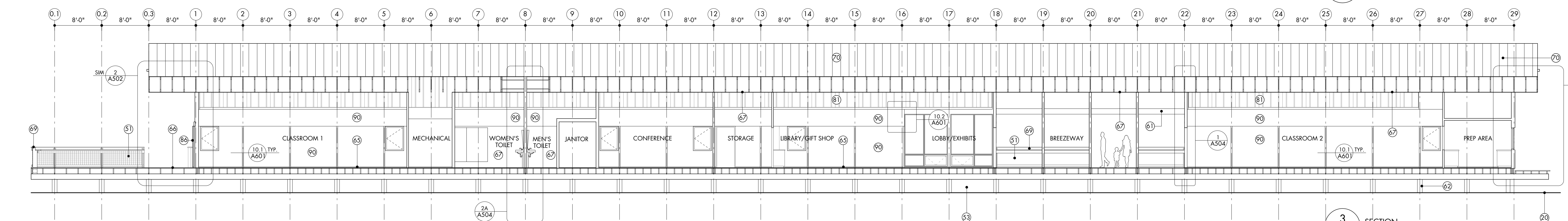
- KEY**
- ⊙ SPRINKLER HEADS
 - CEILING LIGHT FIXTURES
 - CEILING ACCESS DOORS
- NOTES**
- 10 CISTERN (ALT 3)
 - 20 FINISHED GRADE- SEE LANDSCAPE DRAWINGS
 - 30 CONCRETE
 - 31 CMU
 - 32 NOT USED
 - 50 STEEL
 - 51 MESH RAILING
 - 52 GREEN SCREEN
 - 53 W.W.M. SCREEN
 - 60 WOOD COLUMN - SEE STRUCTURAL DRAWINGS
 - 61 WOOD BEAM - SEE STRUCTURAL DRAWINGS
 - 62 WOOD PILE - SEE STRUCTURAL DRAWINGS
 - 63 WOOD SIDING
 - 64 WOOD STRUCTURE EXPOSED
 - 65 WOOD TRIM
 - 66 DECKING
 - 67 PLYWOOD CEILING OR SOFFIT OR WALL FINISH
 - 68 CEMENTITIOUS BOARD
 - 69 WOOD RAILING
 - 70 METAL ROOF SYSTEM
 - 71 METAL FLASHING
 - 72 METAL GUTTER
 - 73 METAL DOWNSPOUT
 - 74 METAL LOUVERS - SEE MECHANICAL DRAWINGS
 - 80 CLAD WINDOWS
 - 81 POLYCARBONATE GLAZING
 - 82 NOT USED
 - 83 CLAD DOOR/FRAME
 - 84 HOLLOW METAL DOOR/FRAME
 - 85 WOOD DOOR
 - 86 ROLLING WOOD DOOR AND TRACK
 - 87 SCREEN
 - 90 GYPSUM BOARD
 - 92 BASE
 - 93 NOT USED
 - 94 NOT USED
 - 95 NOT USED
 - 96 LIGHT COVE

REFLECTED CEILING PLAN
1/8" = 1'-0"

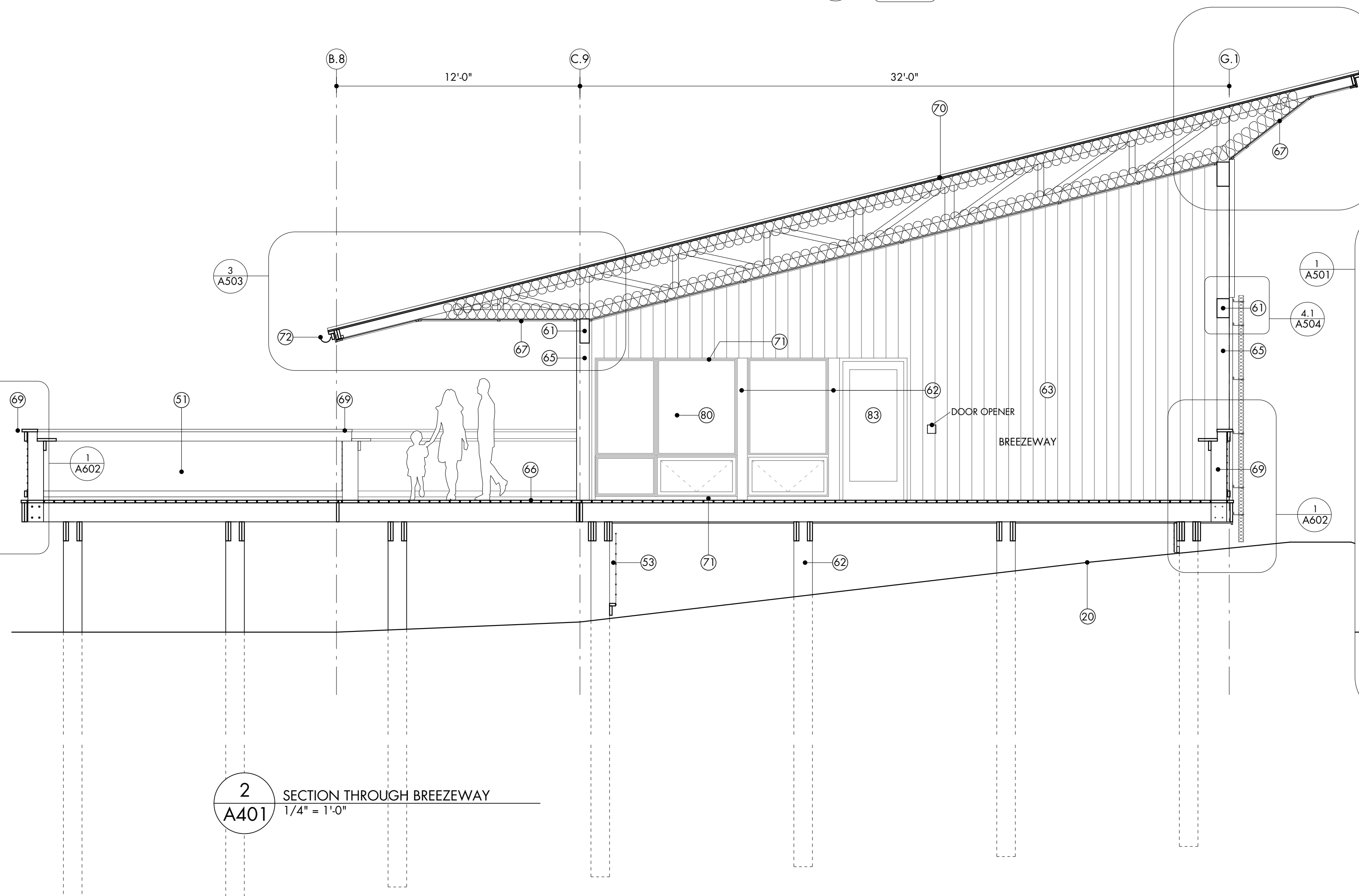




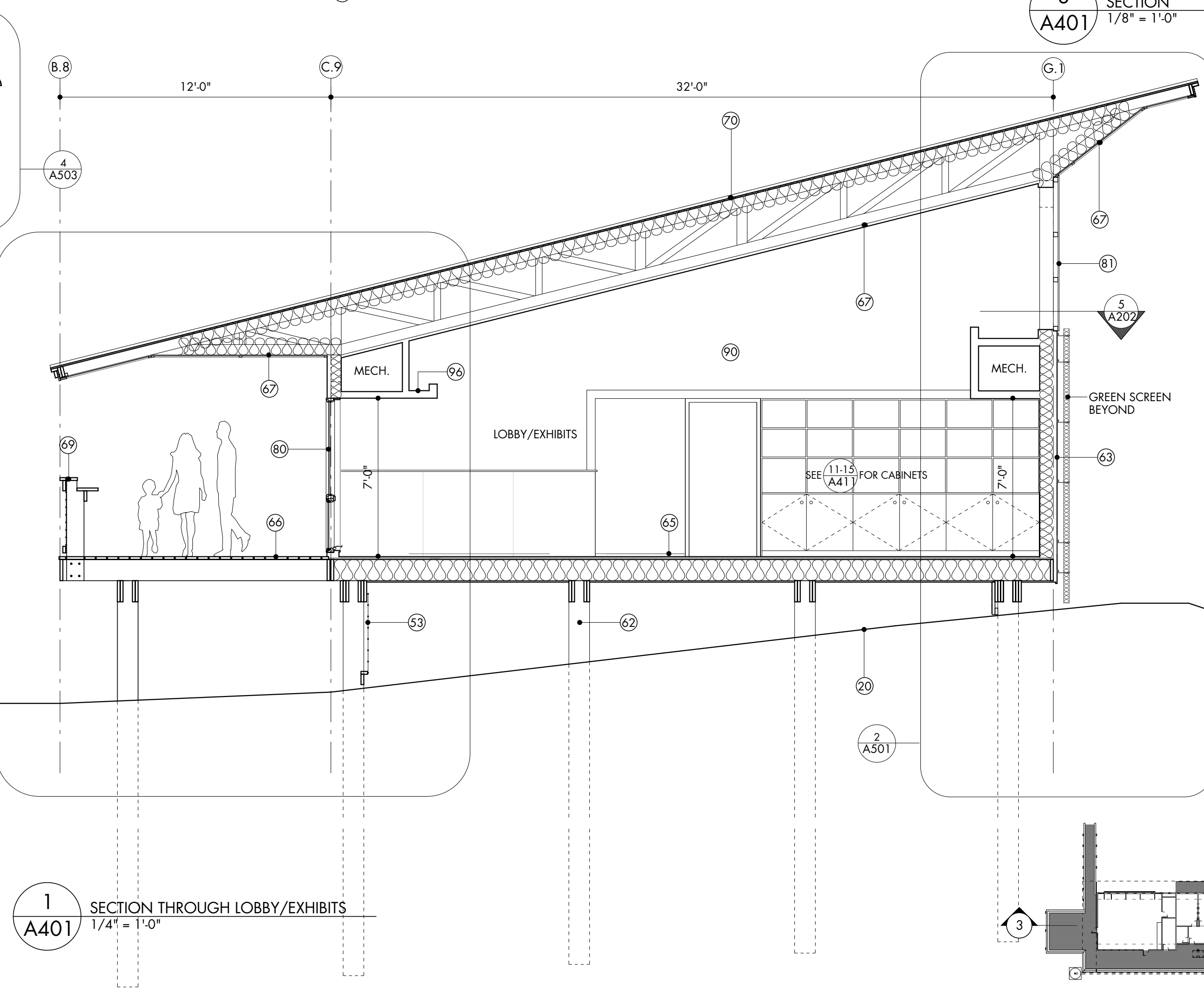
4 SECTION
A401
1/8" = 1'-0"



3 SECTION
A401
1/8" = 1'-0"

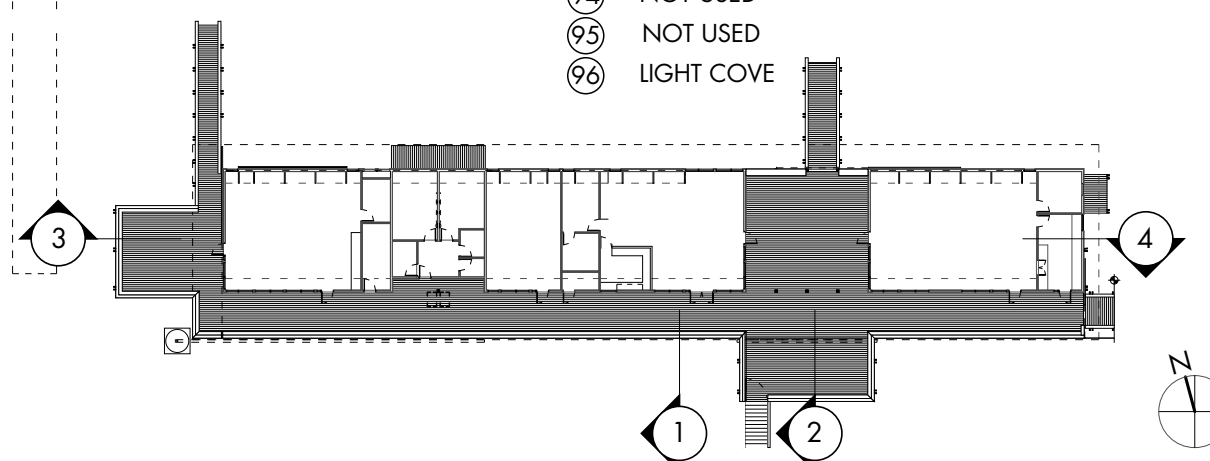


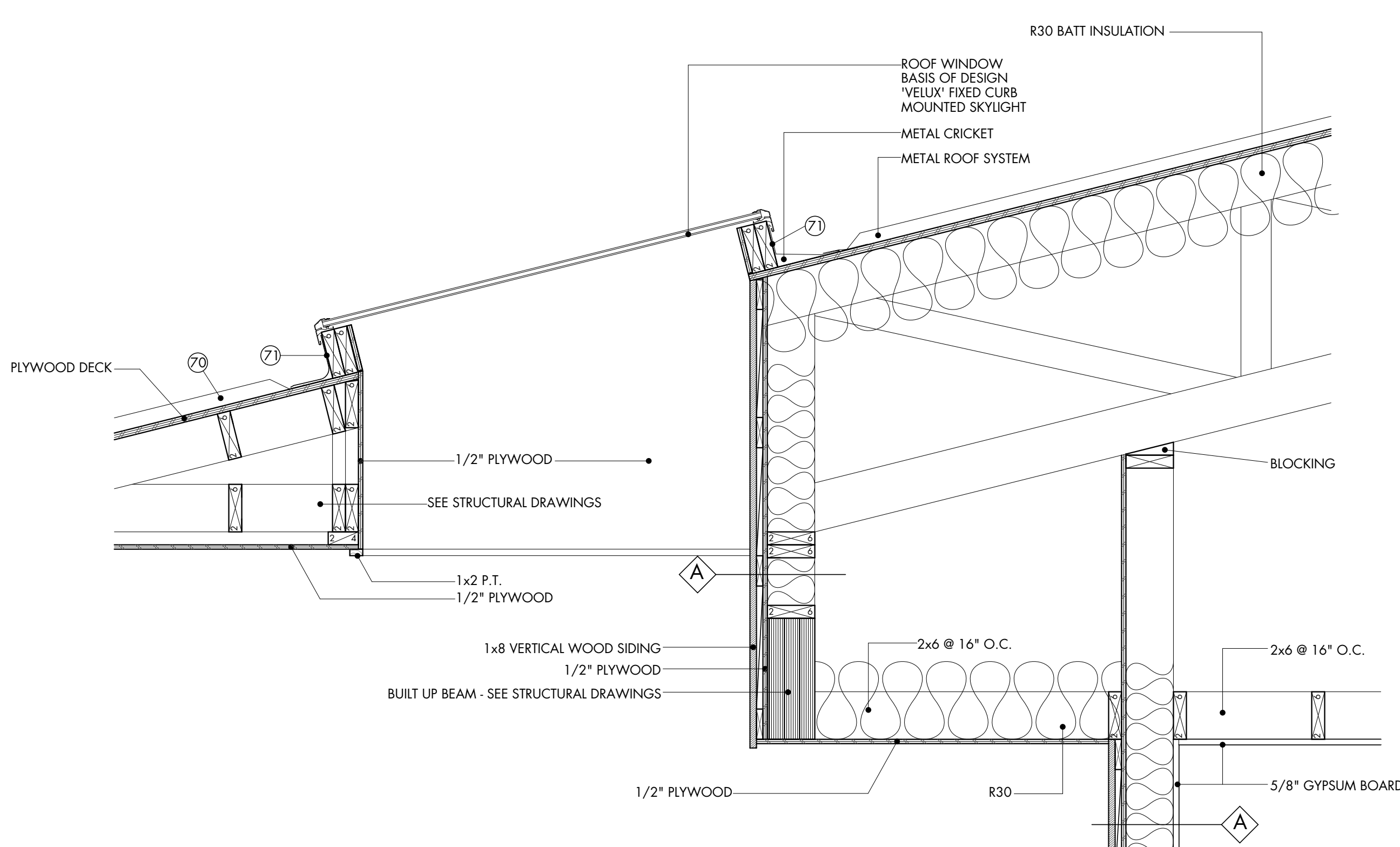
2 SECTION THROUGH BREEZEWAY
A401
1/4" = 1'-0"



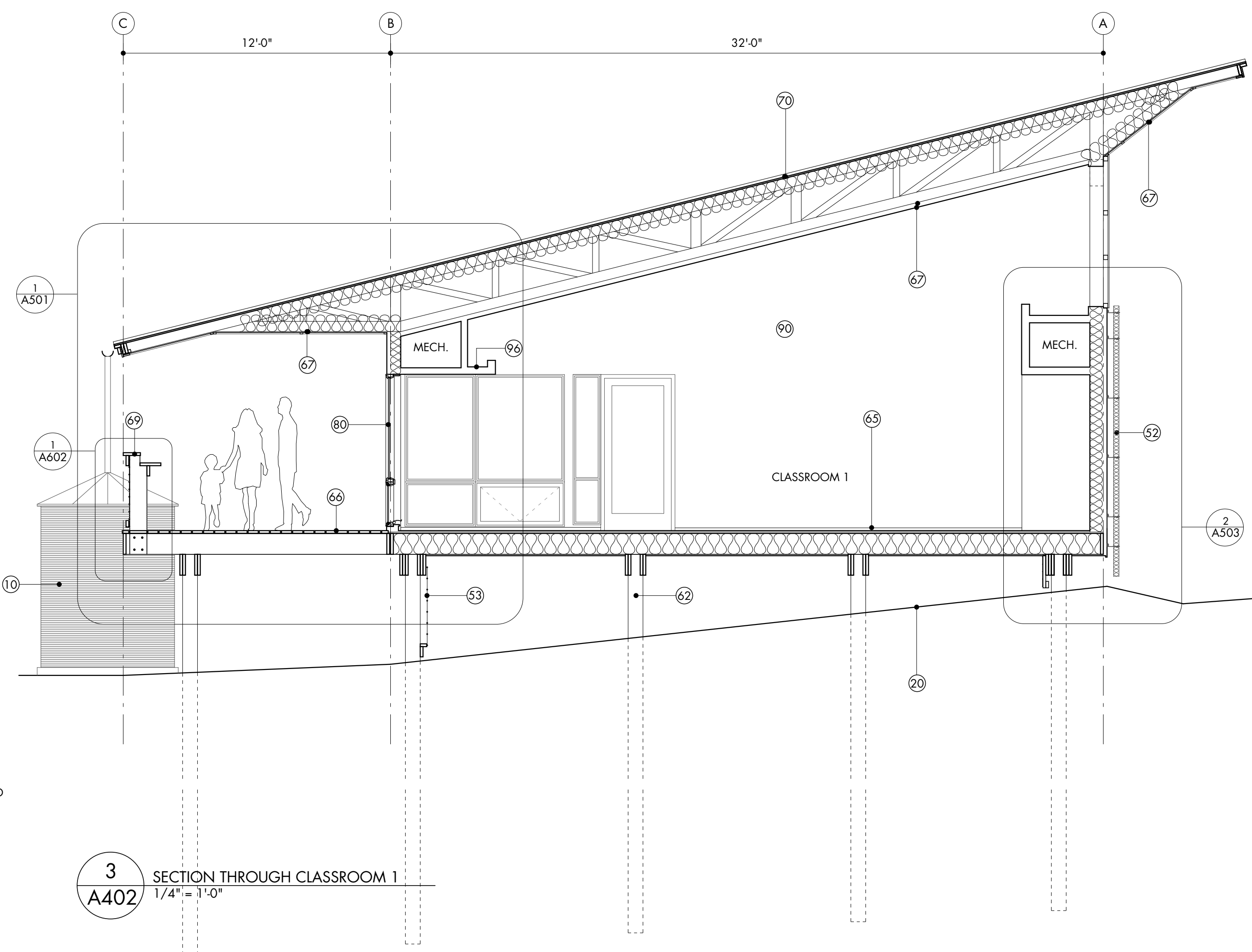
1 SECTION THROUGH LOBBY/EXHIBITS
A401
1/4" = 1'-0"

- NOTES
- 10 CISTERN (ALT 3)
 - 20 FINISHED GRADE- SEE LANDSCAPE DRAWINGS
 - 30 CONCRETE
 - 31 CMU
 - 32 NOT USED
 - 50 STEEL
 - 51 MESH RAILING
 - 52 GREEN SCREEN
 - 53 W.W.M. SCREEN
 - 60 WOOD COLUMN - SEE STRUCTURAL DRAWINGS
 - 61 WOOD BEAM - SEE STRUCTURAL DRAWINGS
 - 62 WOOD PILE - SEE STRUCTURAL DRAWINGS
 - 63 WOOD SIDING
 - 64 WOOD STRUCTURE EXPOSED
 - 65 WOOD TRIM
 - 66 DECKING
 - 67 PLYWOOD CEILING OR SOFFIT OR WALL FINISH
 - 68 CEMENTITIOUS BOARD
 - 69 WOOD RAILING
 - 70 METAL ROOF SYSTEM
 - 71 METAL FLASHING
 - 72 METAL GUTTER
 - 73 METAL DOWNSPOUT
 - 74 METAL LOUVERS - SEE MECHANICAL DRAWINGS
 - 80 CLAD WINDOWS
 - 81 POLYCARBONATE GLAZING
 - 82 NOT USED
 - 83 CLAD DOOR/FRAME
 - 84 HOLLOW METAL DOOR/FRAME
 - 85 WOOD DOOR
 - 86 ROLLING WOOD DOOR AND TRACK
 - 87 SCREEN
 - 90 GYPSUM BOARD
 - 92 BASE
 - 93 NOT USED
 - 94 NOT USED
 - 95 NOT USED
 - 96 LIGHT COVE

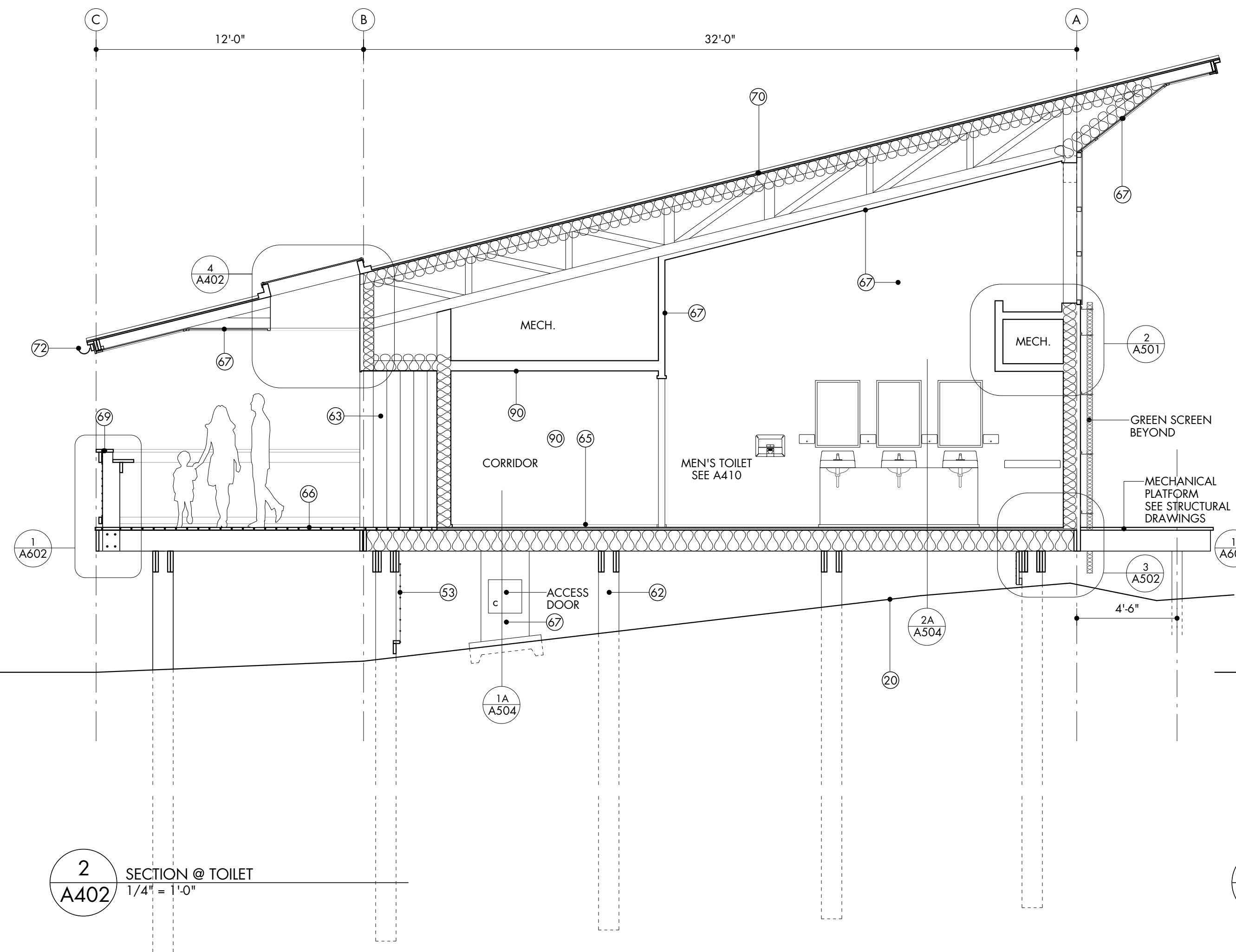




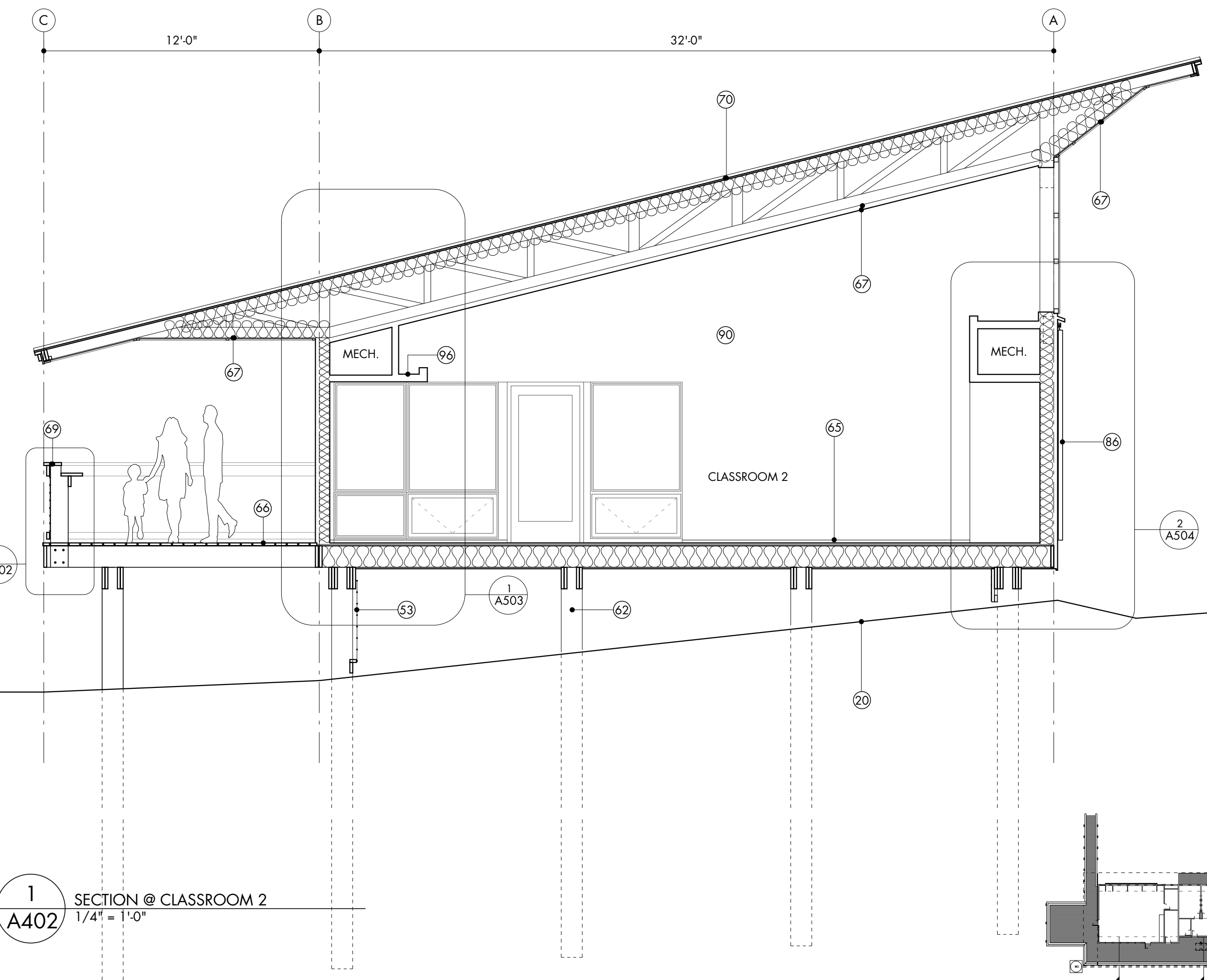
4 SKYLIGHT DETAIL
1/4" = 1'-0"
REF 2/A402



3 SECTION THROUGH CLASSROOM 1
1/4" = 1'-0"

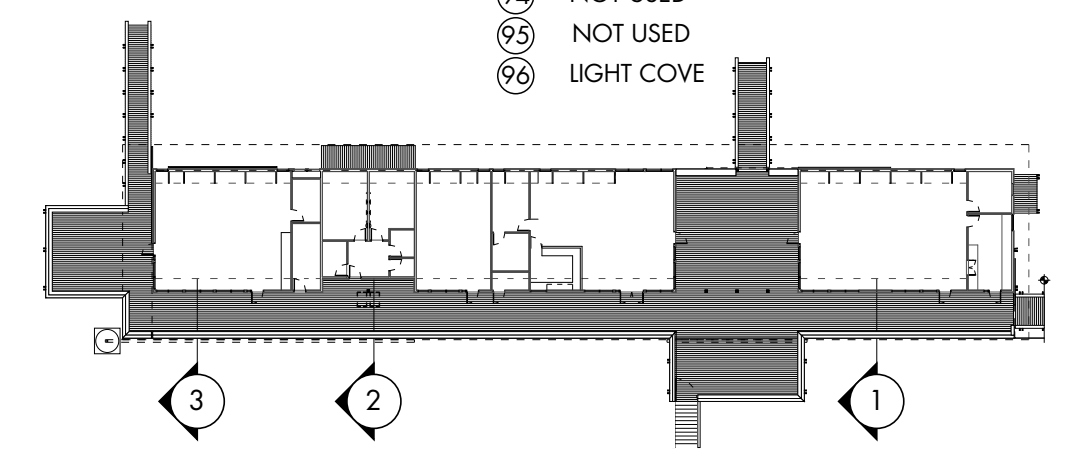


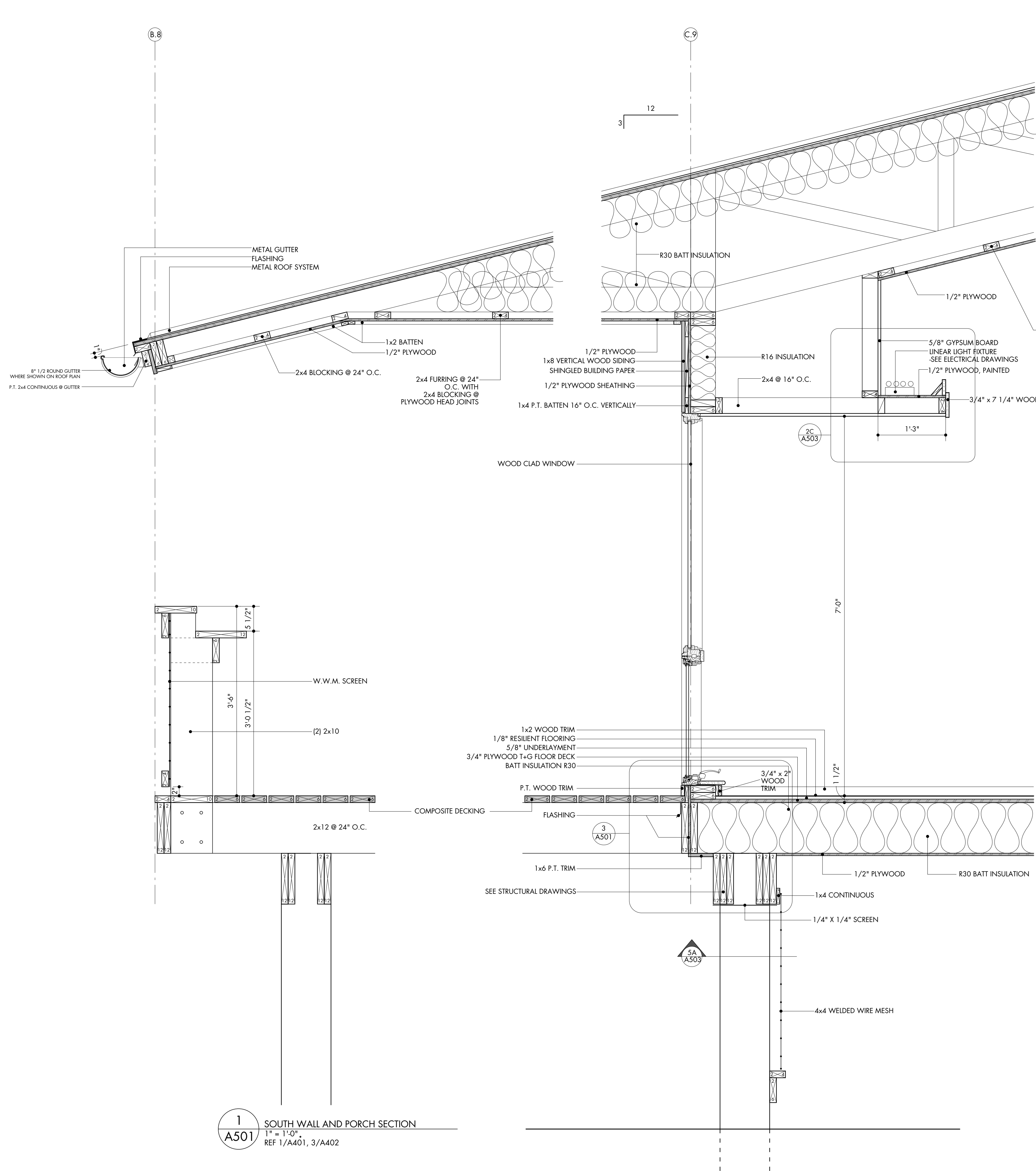
2 SECTION @ TOILET
1/4" = 1'-0"



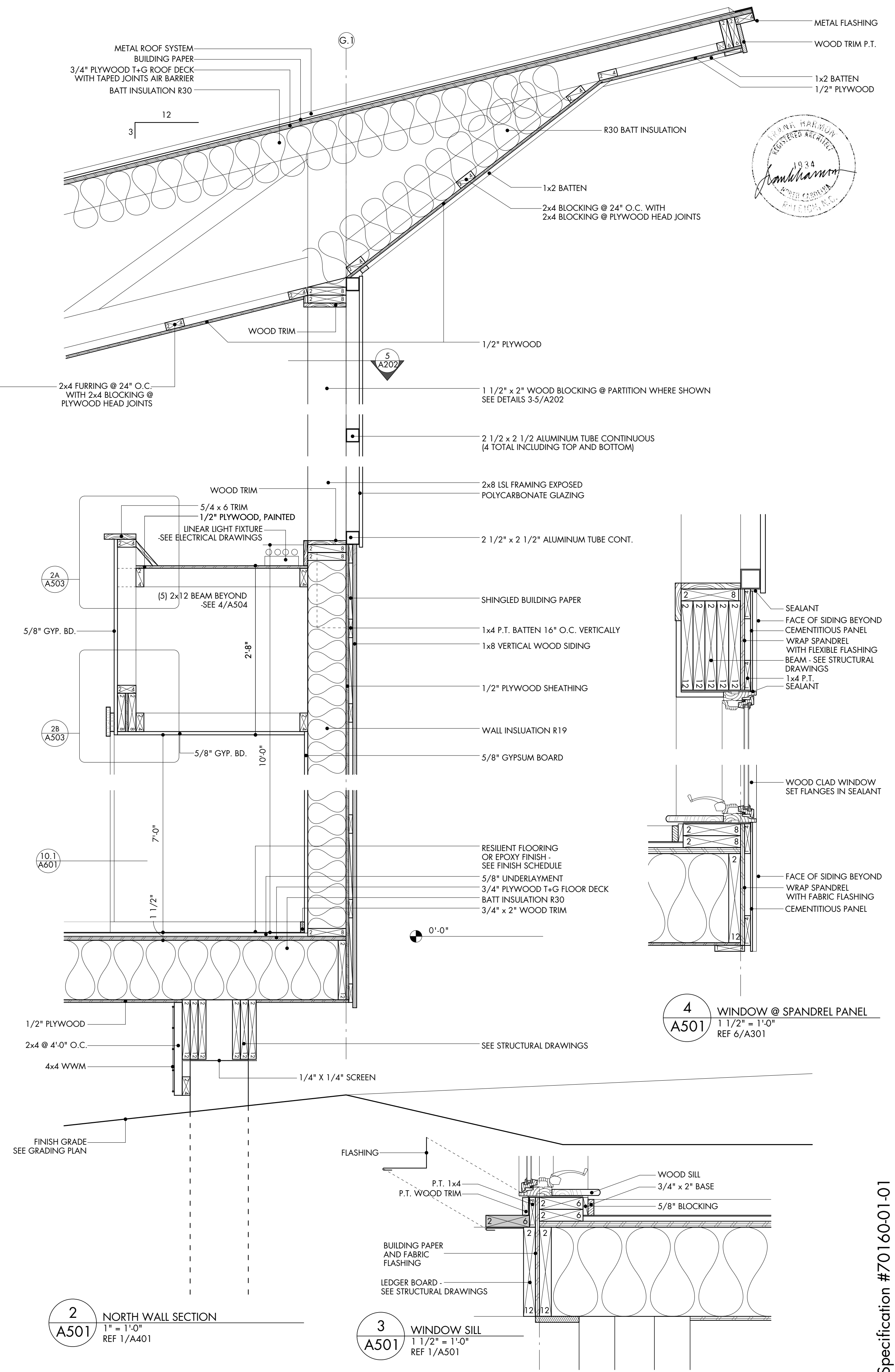
1 SECTION @ CLASSROOM 2
1/4" = 1'-0"

- NOTES
- 10 CISTERN (ALT 3)
 - 20 FINISHED GRADE- SEE LANDSCAPE DRAWINGS
 - 30 CONCRETE
 - 31 CMU
 - 32 NOT USED
 - 50 STEEL
 - 51 MESH RAILING
 - 52 GREEN SCREEN
 - 53 W.W.M. SCREEN
 - 60 WOOD COLUMN - SEE STRUCTURAL DRAWINGS
 - 61 WOOD BEAM - SEE STRUCTURAL DRAWINGS
 - 62 WOOD PILE - SEE STRUCTURAL DRAWINGS
 - 63 WOOD SIDING
 - 64 WOOD STRUCTURE EXPOSED
 - 65 WOOD TRIM
 - 66 DECKING
 - 67 PLYWOOD CEILING OR SOFFIT OR WALL FINISH
 - 68 CEMENTITIOUS BOARD
 - 69 WOOD RAILING
 - 70 METAL ROOF SYSTEM
 - 71 METAL FLASHING
 - 72 METAL GUTTER
 - 73 METAL DOWNSPOUT
 - 74 METAL LOUVERS - SEE MECHANICAL DRAWINGS
 - 80 CLAD WINDOWS
 - 81 POLYCARBONATE GLAZING
 - 82 NOT USED
 - 83 CLAD DOOR/FRAME
 - 84 HOLLOW METAL DOOR/FRAME
 - 85 WOOD DOOR
 - 86 ROLLING WOOD DOOR AND TRACK
 - 87 SCREEN
 - 90 GYPSUM BOARD
 - 92 BASE
 - 93 NOT USED
 - 94 NOT USED
 - 95 NOT USED
 - 96 LIGHT COVE





1
A501 SOUTH WALL AND PORCH SECTION
1" = 1'-0"
REF 1/A401, 3/A402

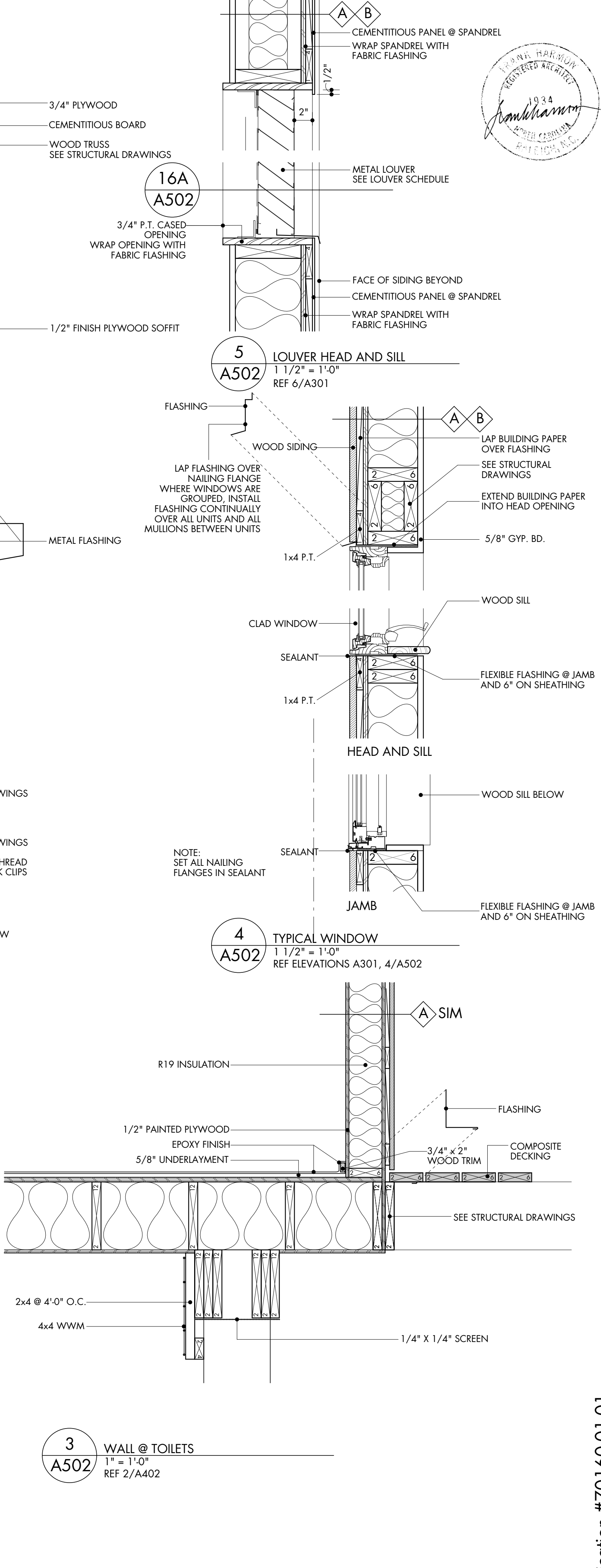
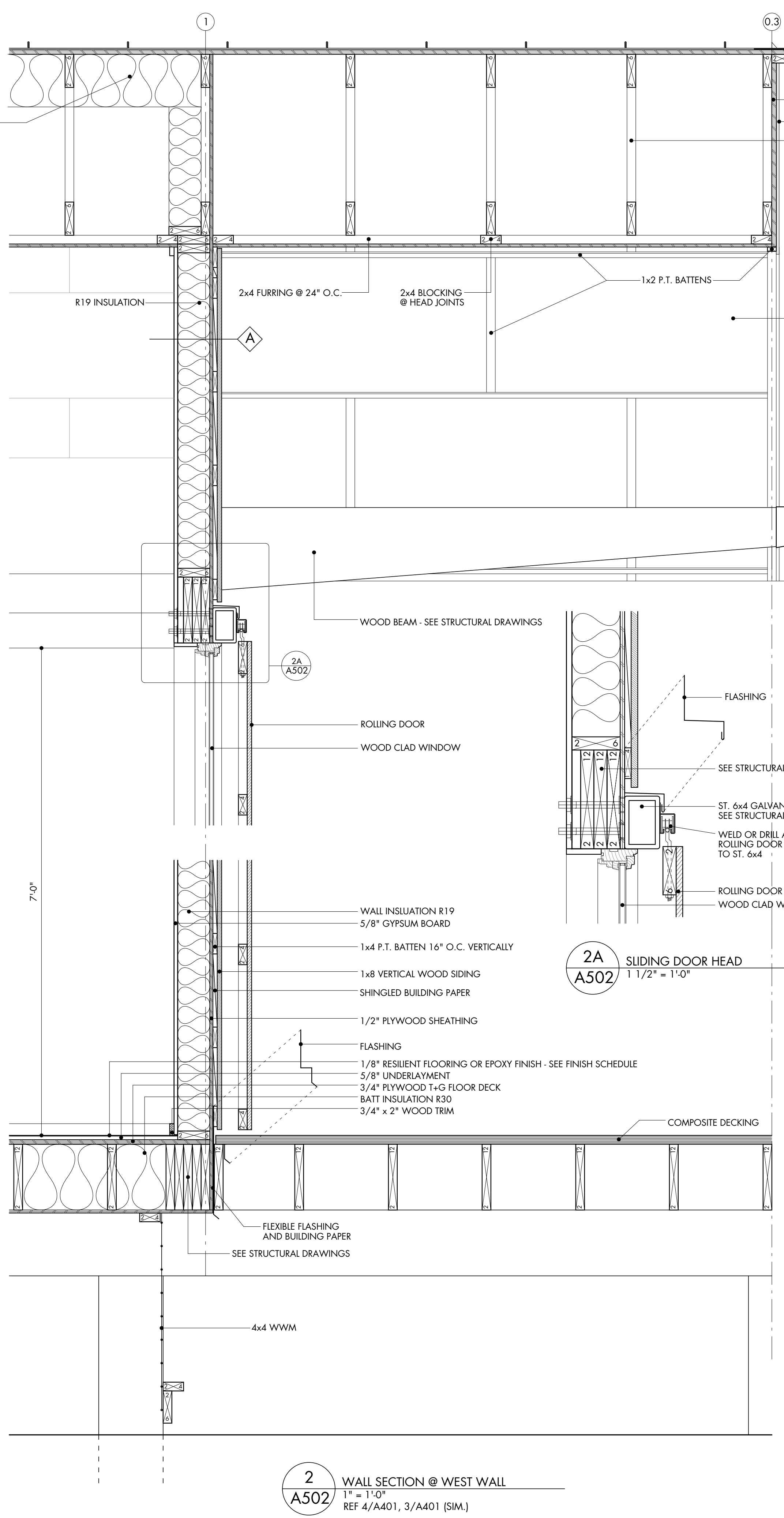
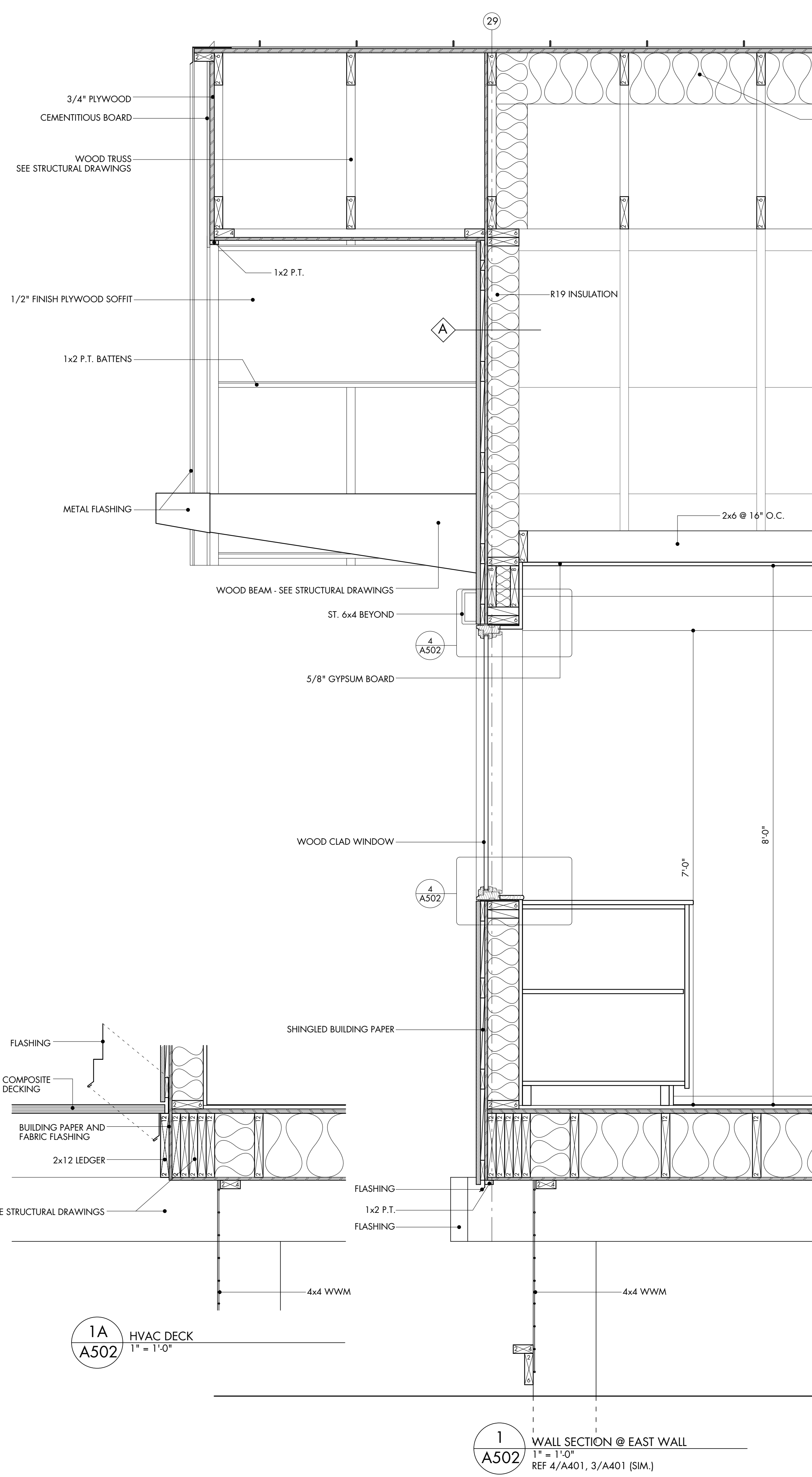


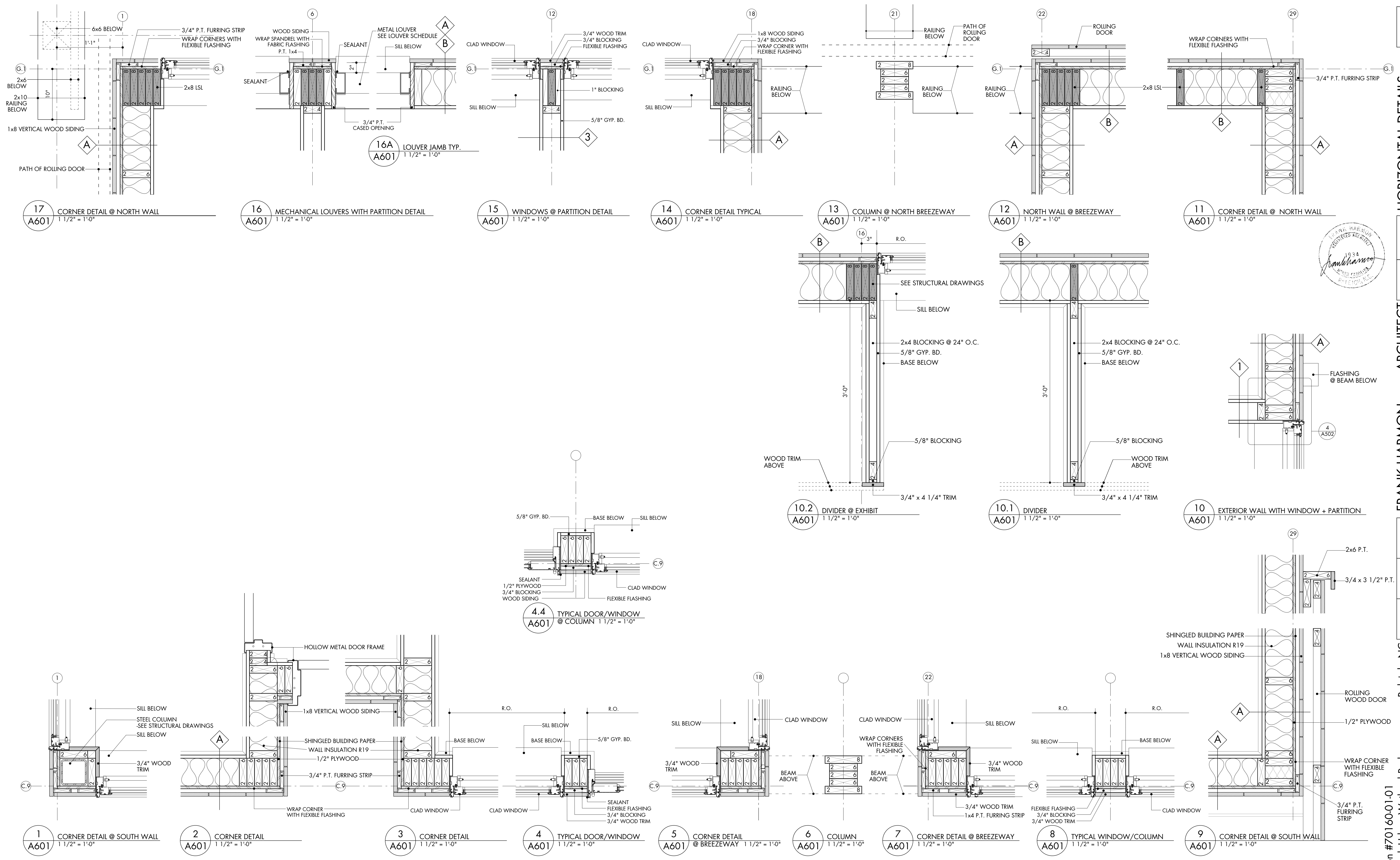
2
A501 NORTH WALL SECTION
1" = 1'-0"
REF 1/A401

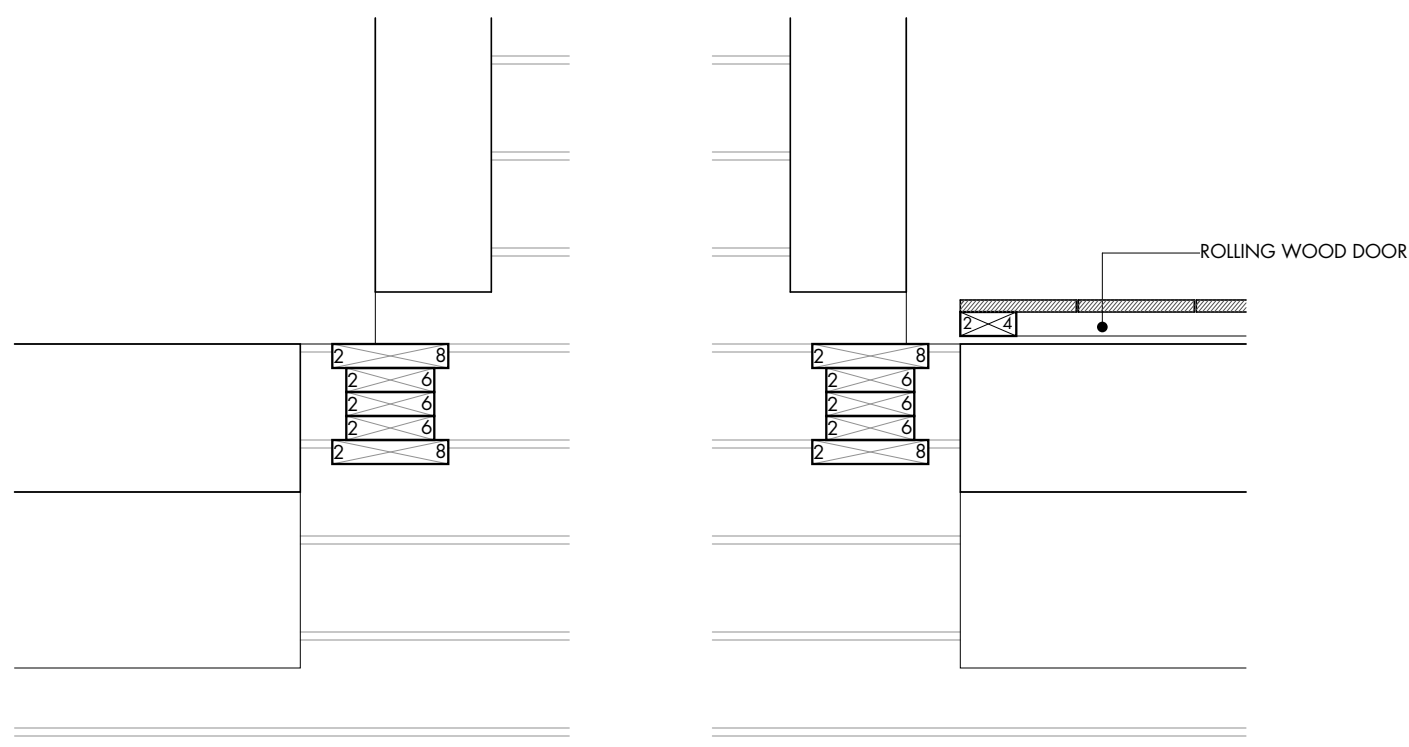
3
A501 WINDOW SILL
1 1/2" = 1'-0"
REF 1/A501

4
A501 WINDOW @ SPANDREL PANEL
1 1/2" = 1'-0"
REF 6/A301

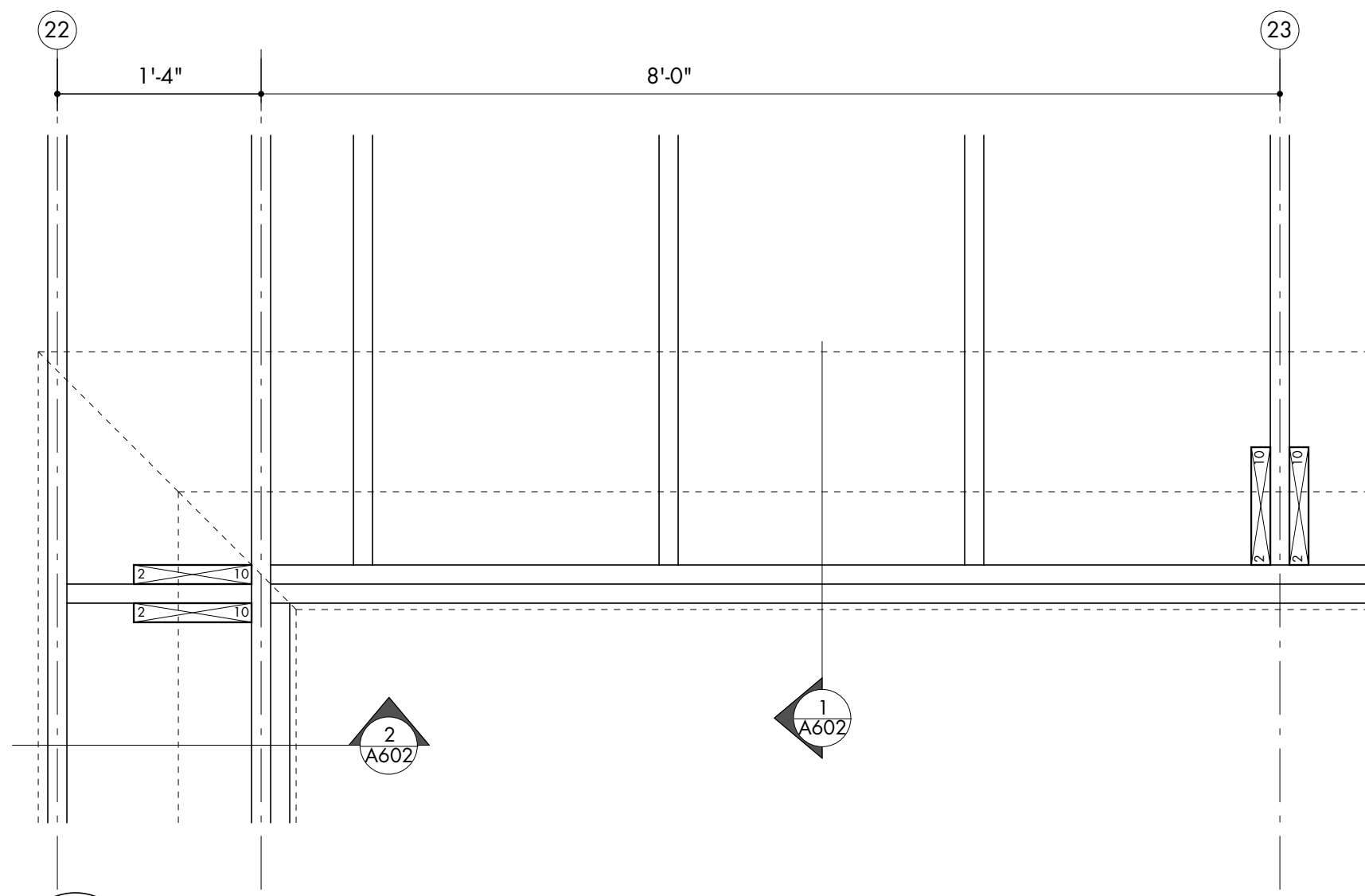




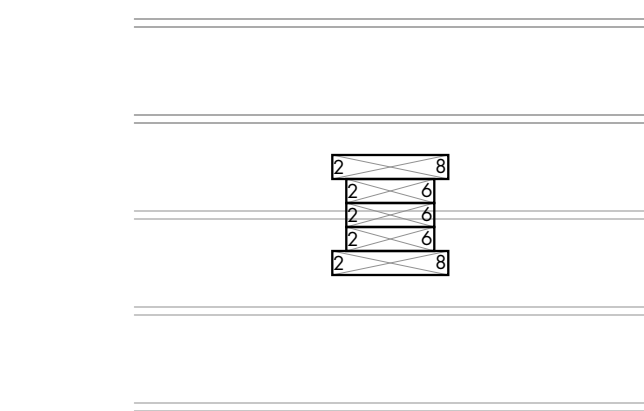




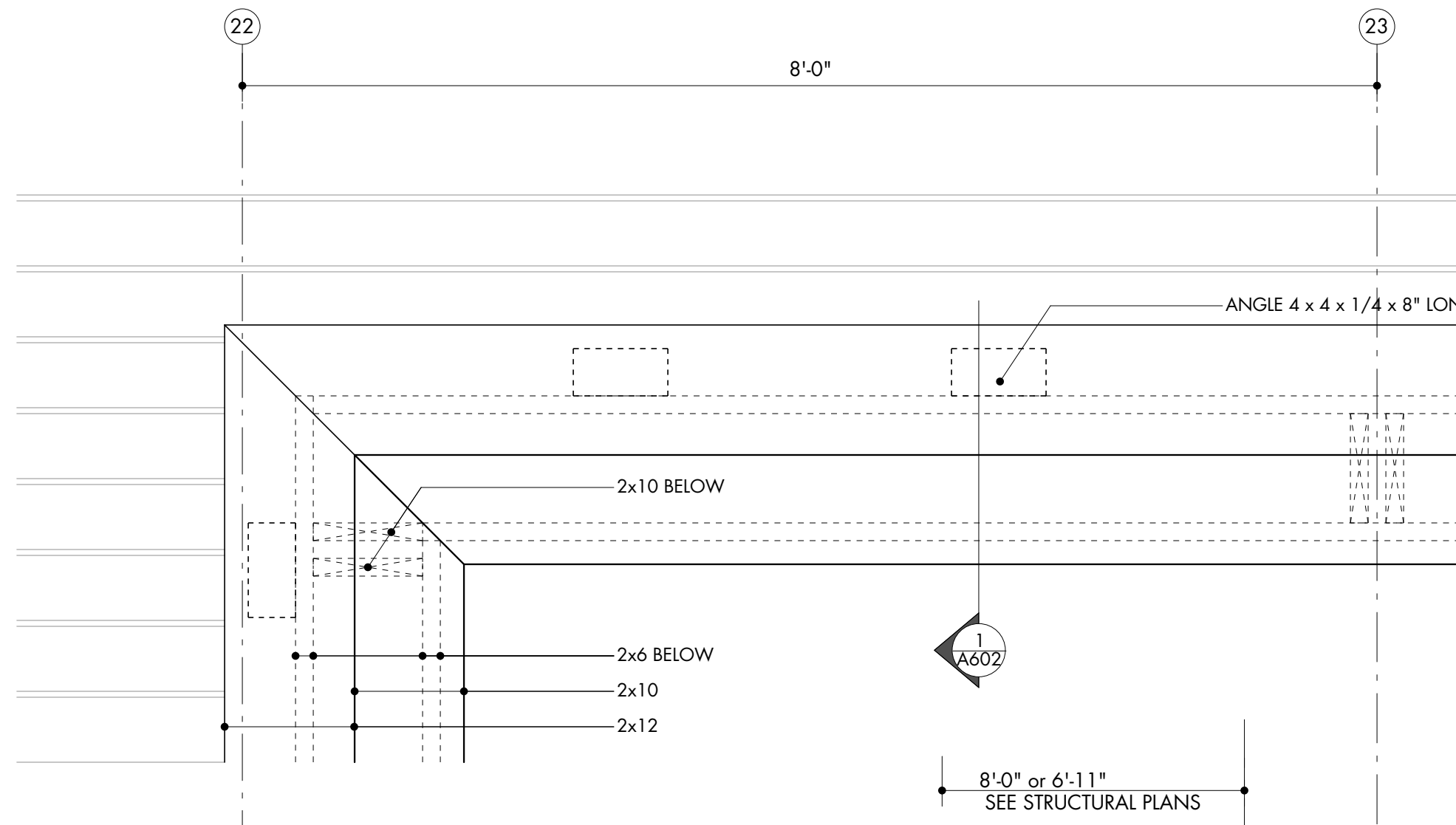
12
A602 DETAIL @ ENTRY BRIDGE AND BREEZEWAY
1" = 1'-0"



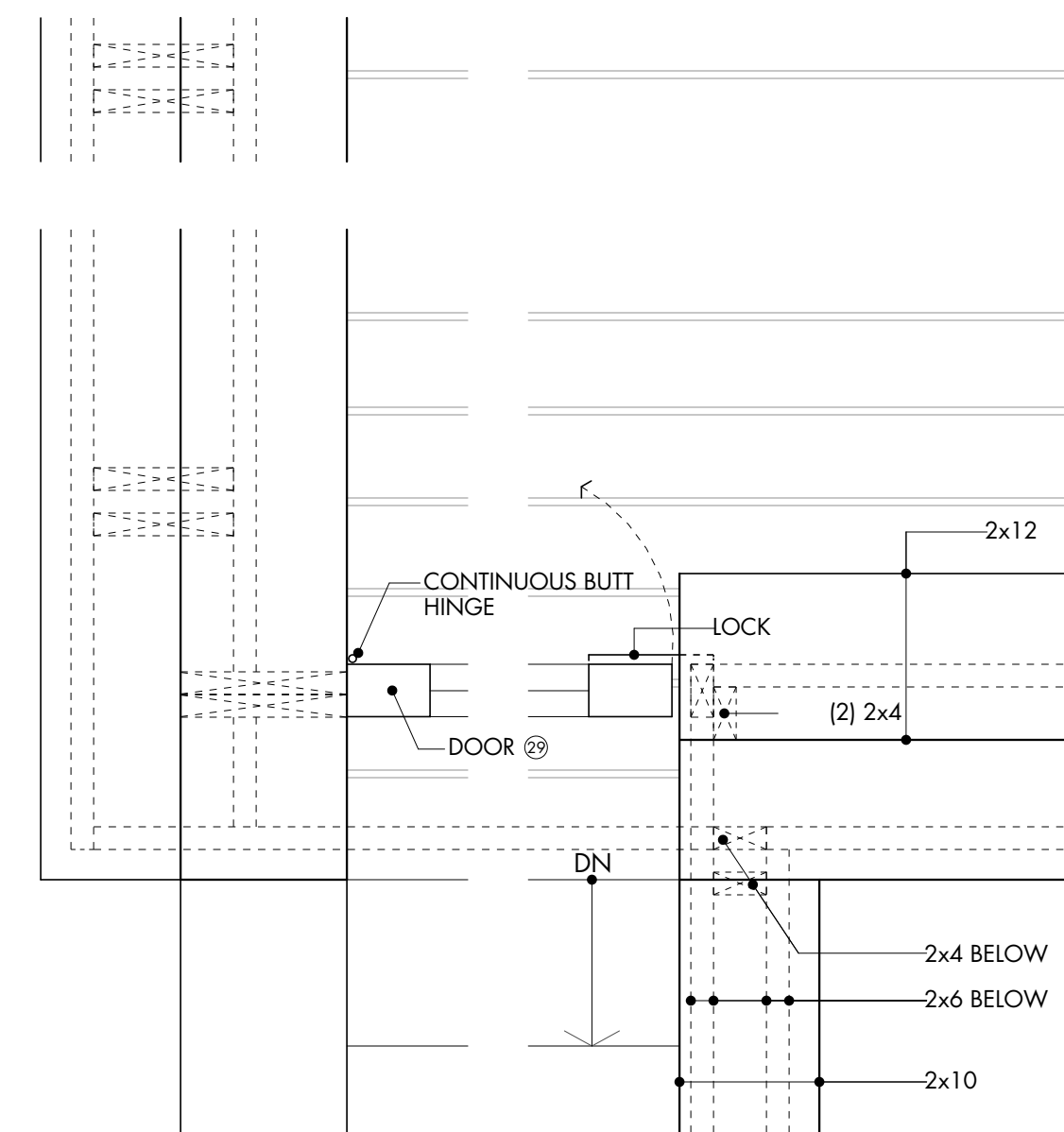
7
A602 CORNER RAIL @ PORCH - DECK FRAMING PLAN
1" = 1'-0"
REF 1/A201



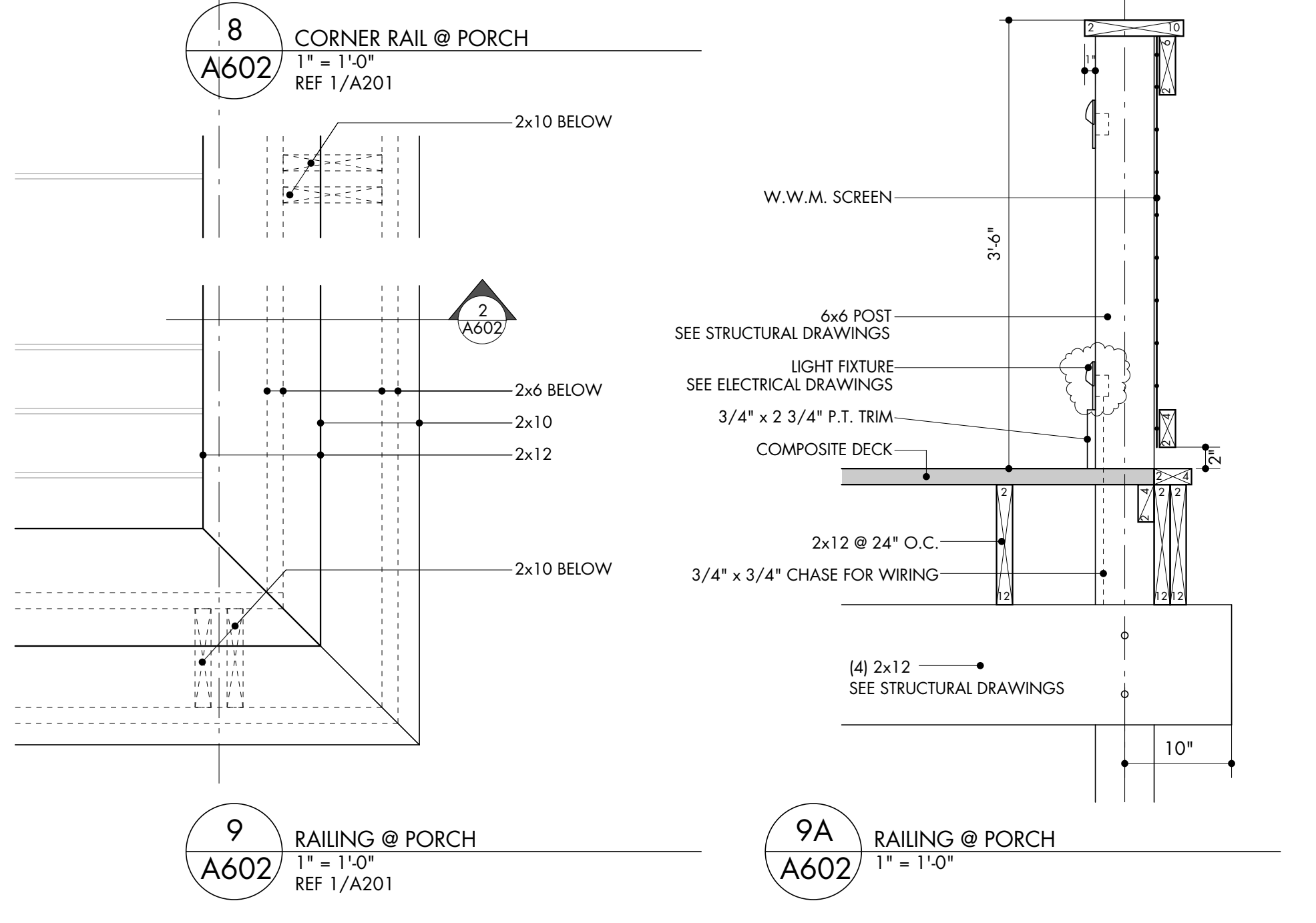
11
A602 COLUMN DETAIL @ BREEZEWAY TYPICAL
1" = 1'-0"



8
A602 CORNER RAIL @ PORCH
1" = 1'-0"
REF 1/A201

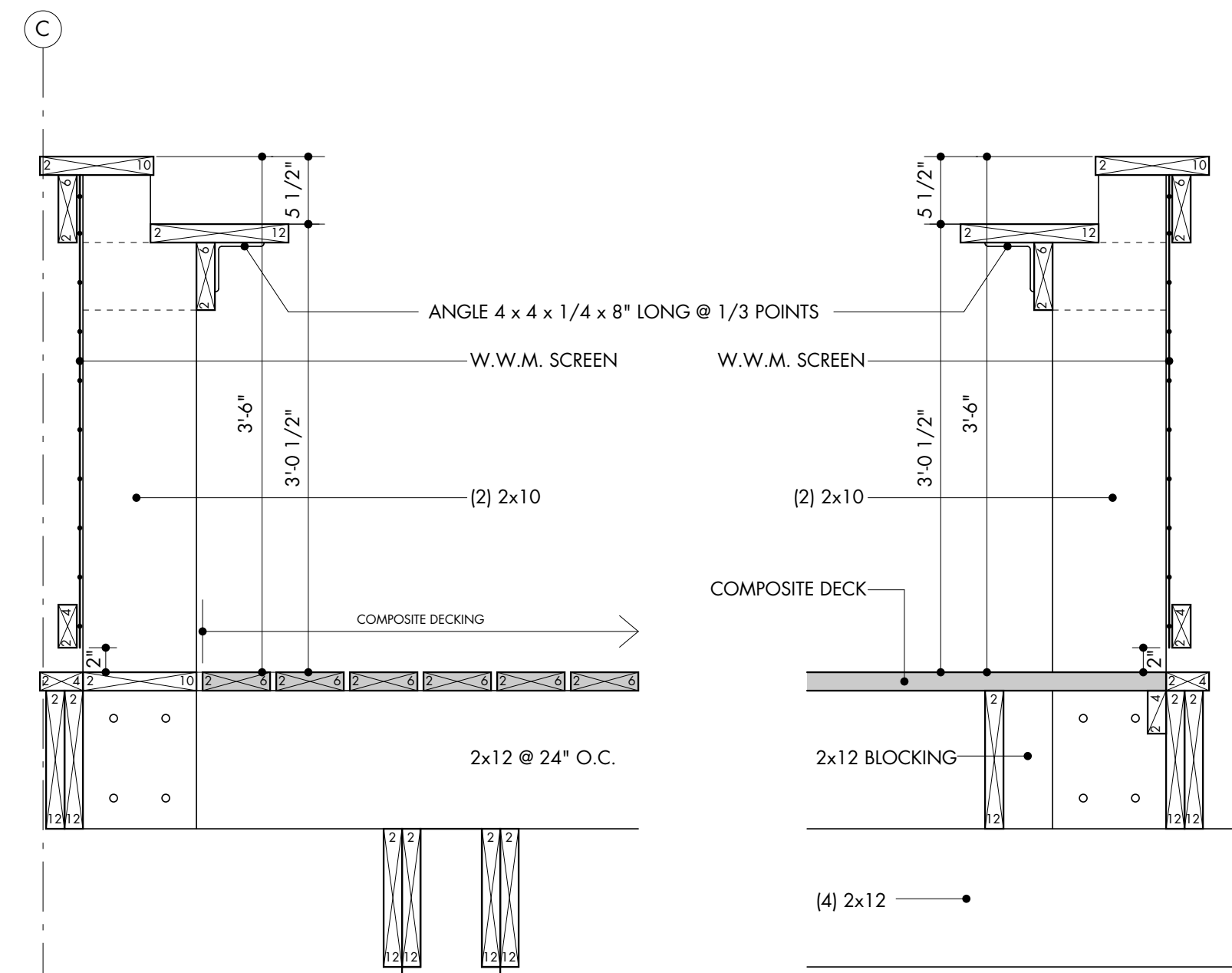


10
A602 STAIR @ PORCH
1" = 1'-0"
REF 1/A201

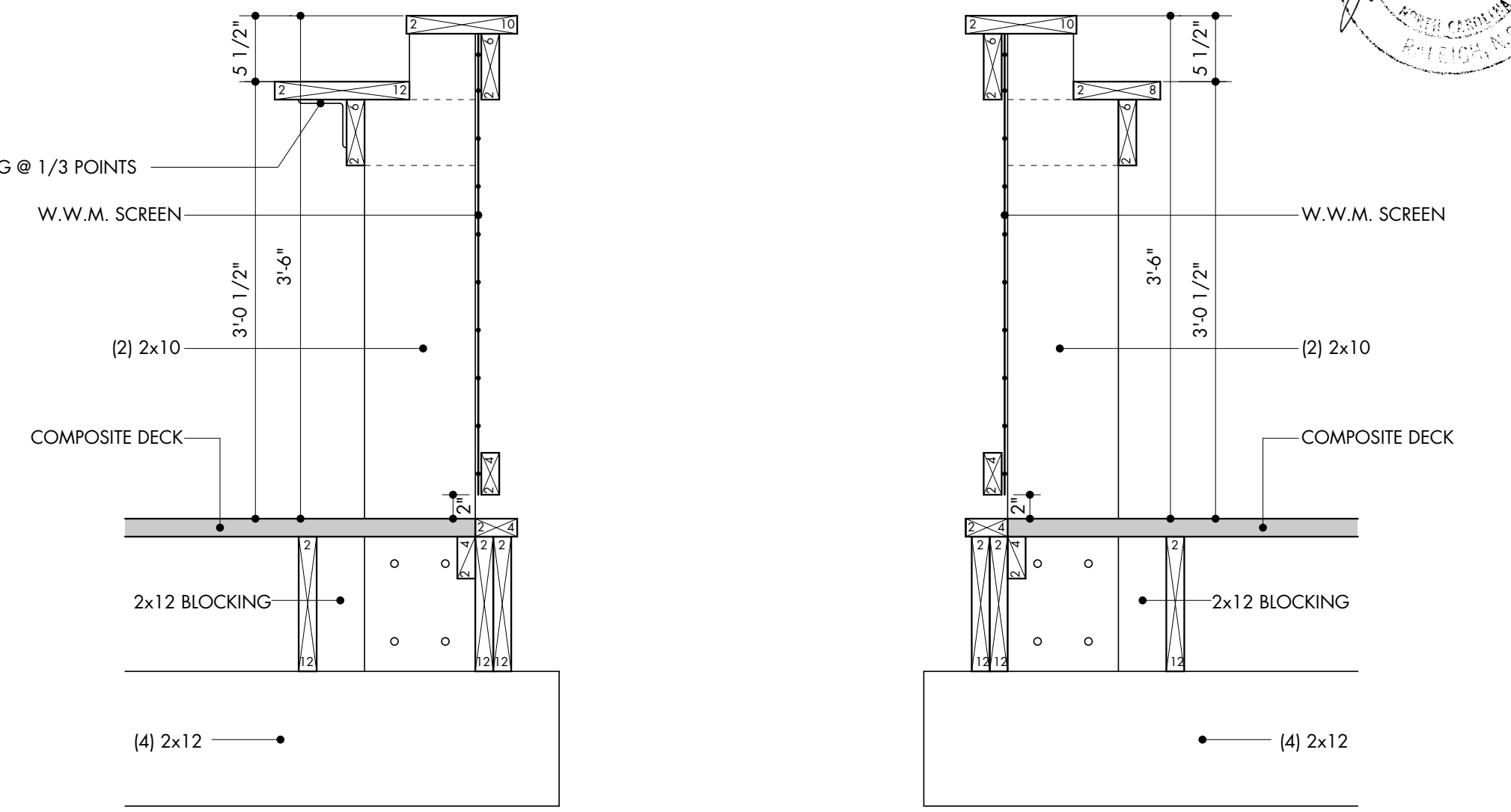


9
A602 RAILING @ PORCH
1" = 1'-0"
REF 1/A201

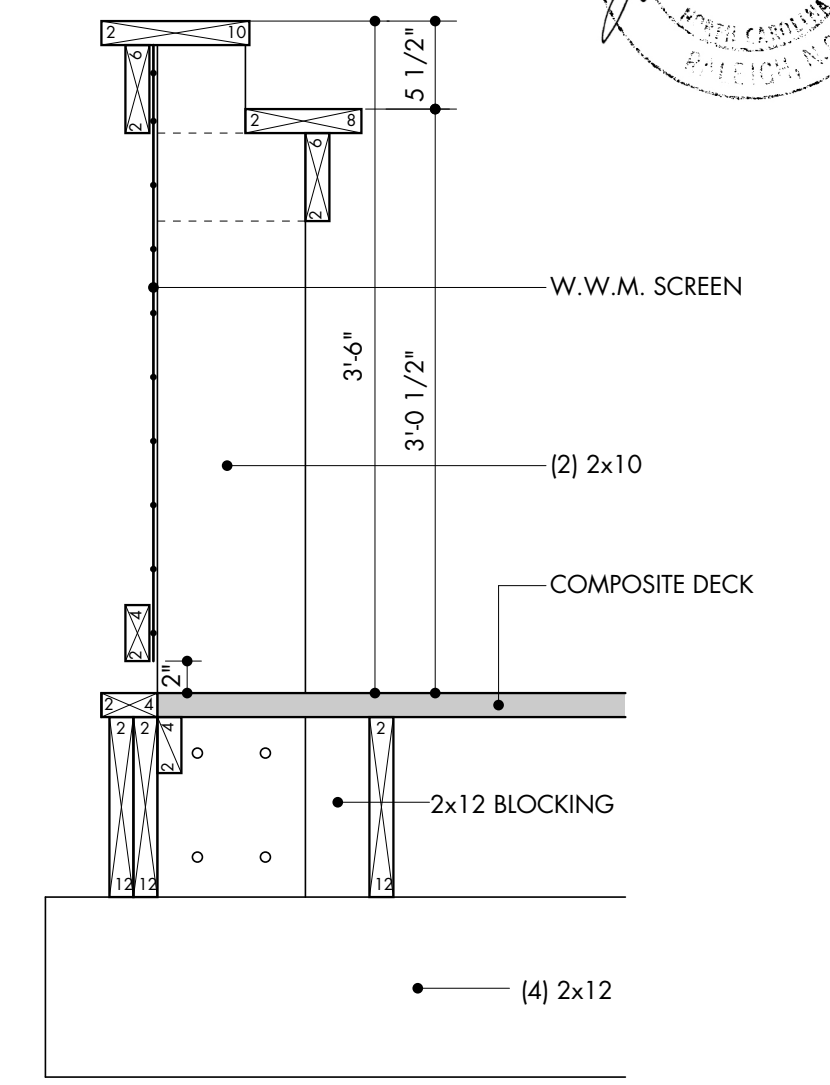
9A
A602 RAILING @ PORCH
1" = 1'-0"



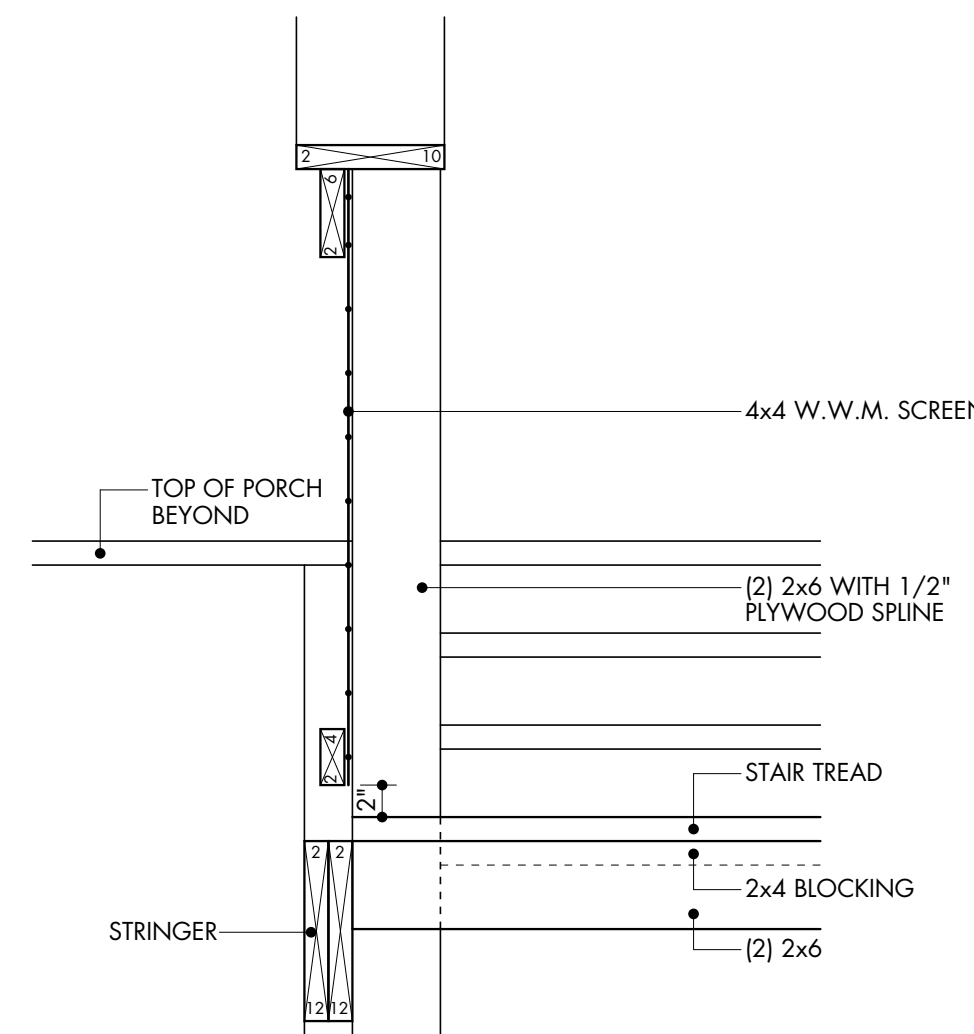
1
A602 TYPICAL RAIL @ RIGHT ANGLE TO JOISTS
1" = 1'-0"



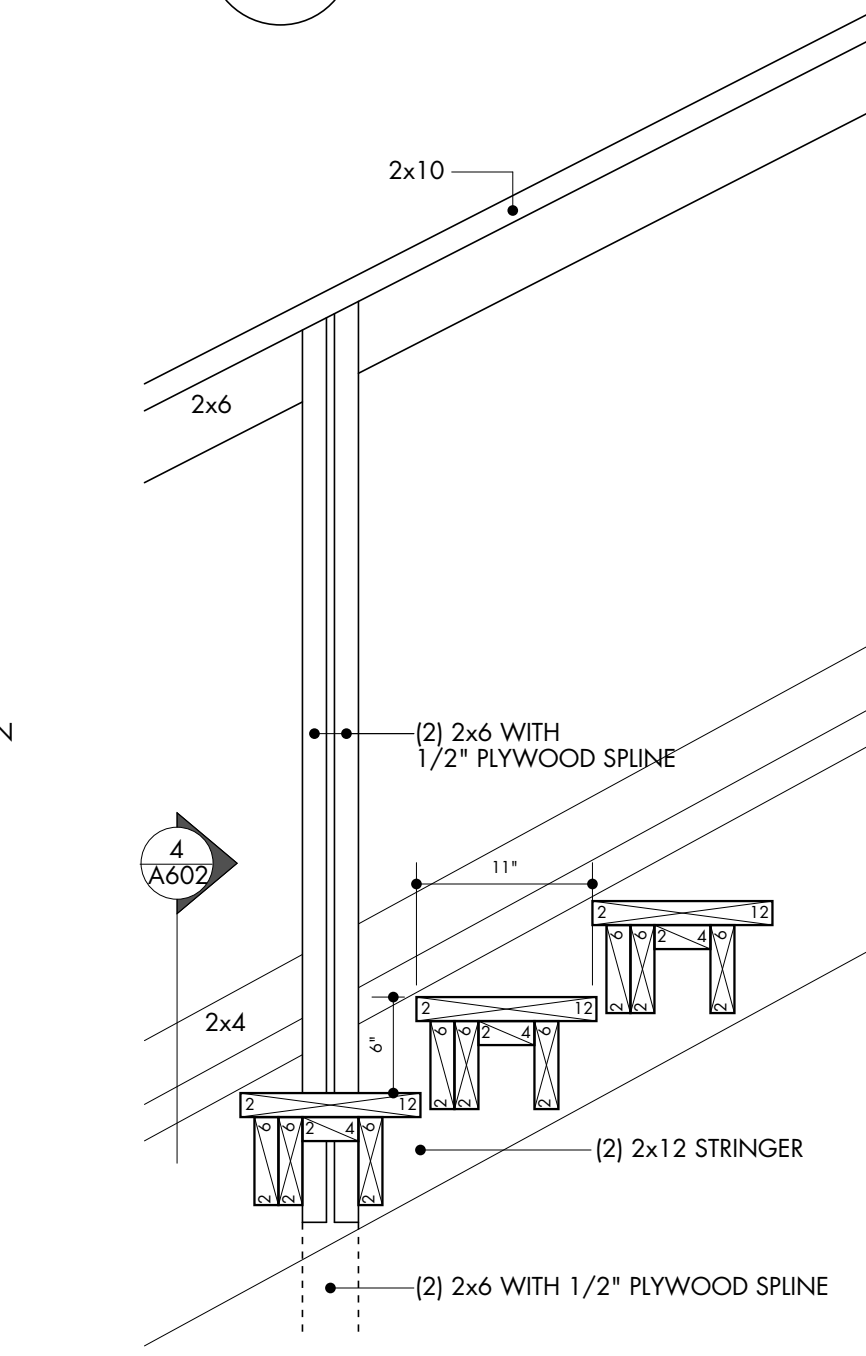
2
A602 TYPICAL RAIL PARALLEL TO JOISTS
1" = 1'-0"



3
A602 RAILING @ PORCH
1" = 1'-0"

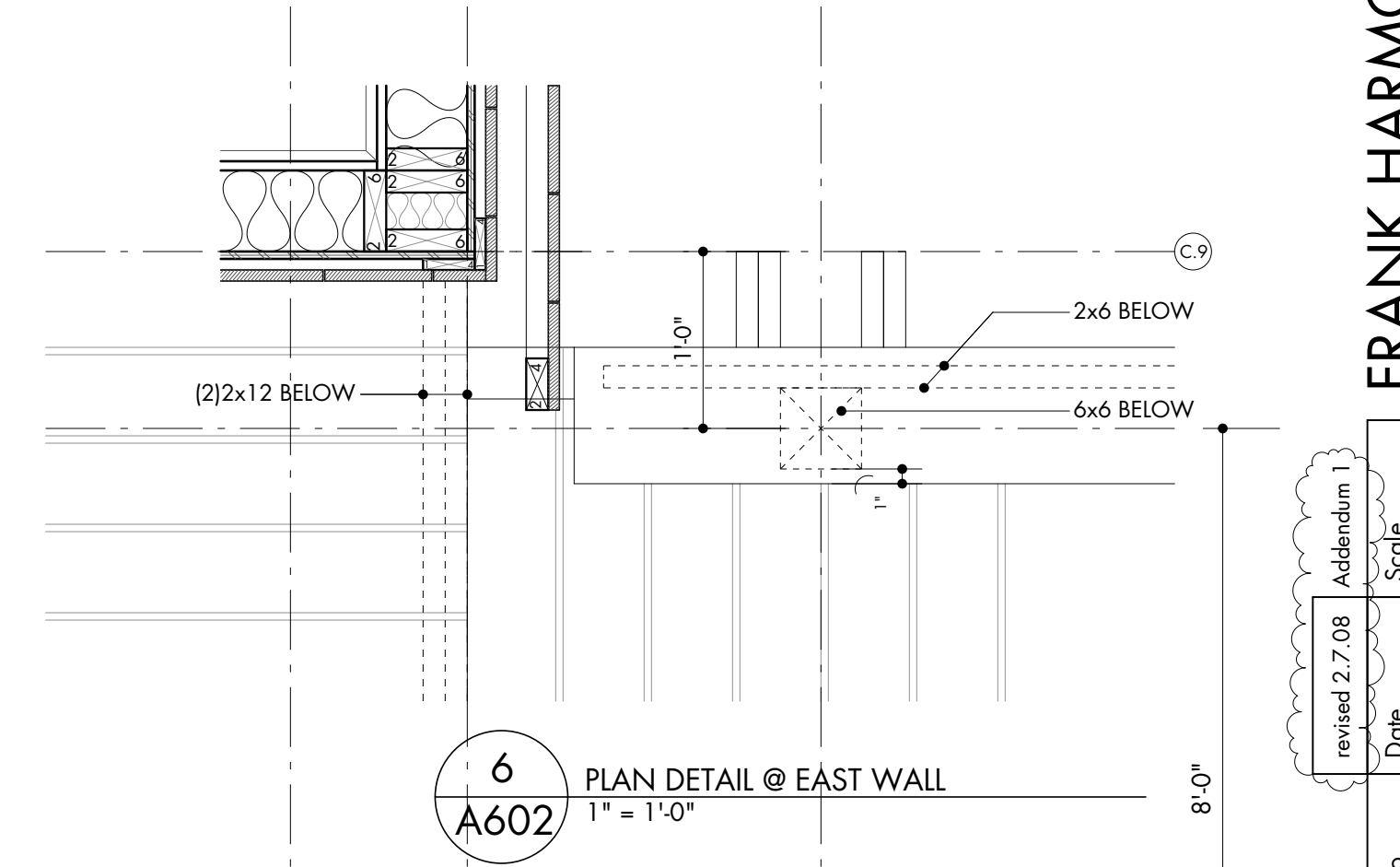


4
A602 RAILING @ STAIR
1" = 1'-0"
REF 1/A201

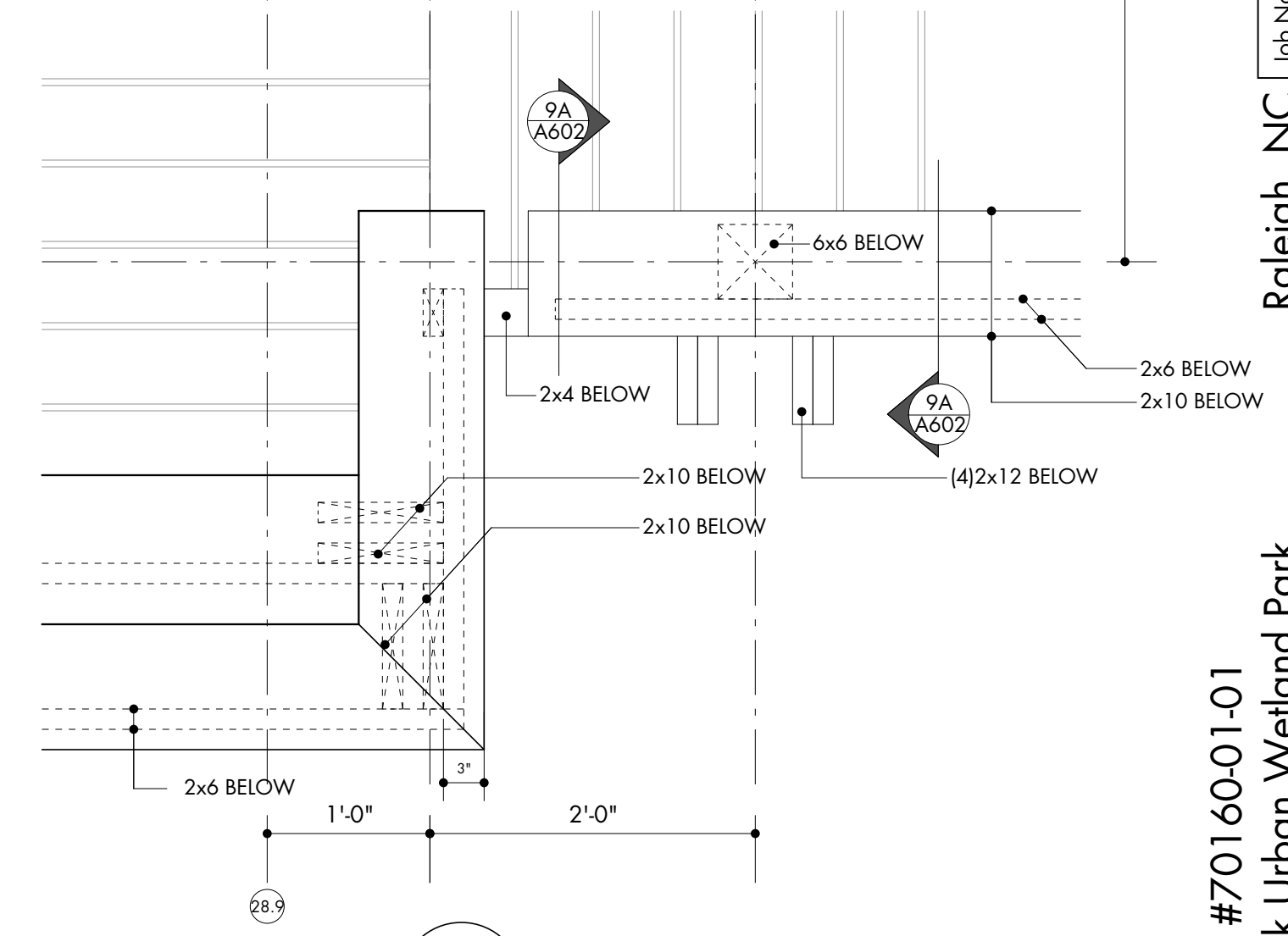


5
A602 TYPICAL STAIR
1" = 1'-0"
REF 1/A201

NOTE:
USE COMPOSITE DECKING AT ALL EXTERIOR DECKS
ALL OTHER EXTERIOR DECK CONSTRUCTION
INCLUDING RAILINGS, STAIRS, JOISTS, POSTS
AND BLOCKING USE PRESSURE TREATED WOOD.



6
A602 PLAN DETAIL @ EAST WALL
1" = 1'-0"



6A
A602 PLAN DETAIL - SLIDING DOOR @ RAIL
1" = 1'-0"

